



---

**DVD Player with HD Upconversion**  
**MODEL:ED-8000**



**INSTRUCTION MANUAL**

**PLEASE READ CAREFULLY BEFORE OPERATING**

# Important Safety Instructions



## CAUTION

RISK OF ELECTRIC SHOCK  
DO NOT OPEN



**CAUTION:** TO REDUCE THE RISK OF ELECTRIC SHOCK, DO NOT REMOVE COVER (OR BACK). NO USER-SERVICEABLE PARTS INSIDE. REFER SERVICING TO QUALIFIED SERVICE PERSONNEL.

### CAUTION:

- THIS DIGITAL VIDEO DISC PLAYER EMPLOYS A LASER SYSTEM.
- TO ENSURE PROPER USE OF THIS PRODUCT, PLEASE READ THIS OWNER'S MANUAL CAREFULLY AND RETAIN FOR FUTURE REFERENCE.
- SHOULD THE UNIT REQUIRE MAINTENANCE, CONTACT AN AUTHORIZED SERVICE PROVIDER.
- MISUSE OF CONTROLS, ADJUSTMENTS TO THE UNIT OR THE PERFORMANCE OF PROCEDURES OTHER THAN THOSE SPECIFIED HEREIN MAY RESULT IN HAZARDOUS RADIATION EXPOSURE.
- TO PREVENT DIRECT EXPOSURE TO LASER BEAM, DO NOT TRY TO OPEN THE ENCLOSURE. VISIBLE LASER RADIATION MAY BE PRESENT WHEN THE ENCLOSURE IS OPENED.
- DO NOT STARE INTO BEAM.

### WARNING:

TO REDUCE THE RISK OF FIRE OR ELECTRIC SHOCK, DO NOT EXPOSE THIS PRODUCT TO RAIN OR MOISTURE.

### WARNING:

TO REDUCE THE RISK OF FIRE OR ELECTRIC SHOCK, AND ANNOYING INTERFERENCE, USE THE RECOMMENDED ACCESSORIES ONLY.

### SURGE PROTECTORS:

It is recommended to use a surge protector for AC connection. Lightning and power surges ARE NOT covered under warranty for this product.



The lightning flash with arrowhead symbol within an equilateral triangle is intended to alert the user to the presence of uninsulated dangerous voltage within the product's enclosure that may be of sufficient magnitude to constitute a risk of electric shock to persons.



The exclamation point within an equilateral triangle is intended to alert the user to the presence of important operating and maintenance (servicing) instructions in the literature accompanying the appliance.



**DANGER:** Invisible and hazardous laser radiation when open and interlock failed or defeated. Avoid direct exposure to beam.

### The FCC Wants You to Know

This equipment has been tested and found to comply with the limits for a Class B digital device, pursuant to Part 15 of the FCC Rules. These limits are designed to provide reasonable protection against harmful interference in a residential installation.

This equipment generates, uses and can radiate radio frequency energy and, if not installed and used in accordance with the instructions, may cause harmful interference to radio communications. However, there is no guarantee that interference will not occur in a particular installation.

If this equipment does cause harmful interference to radio or television reception, which can be determined by turning the equipment off and on, the user is encouraged to try to correct the interference by one or more of the following measures:

- Reorient or relocate the receiving antenna.
- Increase the separation between the equipment and receiver.
- Connect the equipment into an outlet on a circuit different from that to which the receiver is connected.
- Consult the dealer or an experienced radio/TV technician for additional suggestions.

Any changes or modifications not expressly approved by the party responsible for compliance could void the user's authority to operate the equipment. Where shielded interface cables have been provided with the product or specified additional components or accessories elsewhere defined to be used with the installation of the product, they must be used in order to ensure compliance with FCC regulation.

### WARNING:

USE UNDER SUPERVISION OF AN ADULT DUE TO LONG CORD

This unit has a long AC cord or other long cord that can easily be tripped on or pulled on, causing injury. Please make sure it is arranged so it will not drape over a tabletop, etc. where it can be pulled on by children or tripped over accidentally.

**EXERCISE CAUTION AS UNIT HAS SHARP POINTS.**

Manufactured under license from Dolby Laboratories.  
Dolby and the double-D symbol are trademarks of Dolby Laboratories.

# Important Safety Instructions

Before using the unit, be sure to read all operating instructions carefully. Please note that these are general precautions and may not pertain to your unit. For example, this unit may not have the capability to be connected to an outdoor antenna.

- 1) **Read these instructions.**  
All the safety and operating instructions should be read before the product is operated.
- 2) **Keep these instructions.**  
The safety and operating instructions should be retained for future reference.
- 3) **Heed all warnings.**  
All warnings on the product and in the operating instructions should be adhered to.
- 4) **Follow all instructions.**  
All operating and use instructions should be followed.
- 5) **Do not use this apparatus near water.**  
Do not use this product near water and moisture, for example: near a bathtub, washbowl, kitchen sink or laundry tub; in a wet basement; or near a swimming pool.
- 6) **Clean only with dry cloth.**  
Unplug this product from the wall outlet before cleaning. Do not use liquid cleaners or aerosol cleaners. Use a dry cloth for cleaning.
- 7) **Do not block any ventilation openings. Install in accordance with the manufacturers instructions.**  
Slots and openings in the cabinet and in the back or bottom are provided for ventilation to ensure reliable operation of the product and to protect it from overheating. These openings must not be blocked or covered. The openings should never be blocked by placing the product on a bed, sofa, rug or other similar surface. This product should never be placed near or over a radiator or heat source. This product should not be placed in a built-in installation such as a bookcase or rack unless proper ventilation is provided or the manufacturer's instructions have been adhered to.
- 8) **Do not install near any heat sources such as radiators, heat registers, stoves, or other apparatus (including amplifiers) that produce heat.**
- 9) **Do not defeat the safety purpose of the polarized or grounding-type plug. A polarized plug has two blades with one wider than the other. A grounding type plug has two blades and a third grounding prong. The wide blade or the third prong are provided for your safety. If the provided plug does not fit into your outlet, consult an electrician for replacement of the obsolete outlet.**
- 10) **Protect the power cord from being walked on or pinched particularly at plugs, convenience receptacles, and the point where they exit from the apparatus.**
- 11) **Only use attachments/accessories specified by the manufacturer.**
- 12) **Use only with the cart, stand, tripod, bracket, or table specified by the manufacturer, or sold with the apparatus. When a cart is used, use caution when moving the cart/apparatus combination to avoid injury from tip-over.**  
An appliance and cart combination should be moved with care. Quick stop, excessive force and uneven surfaces may cause the appliance and cart combination to overturn.
- 13) **Unplug this apparatus during lightning storms or when unused for long periods of time.**  
To protect your product from a lightning storm, or when it is left unattended and unused for long periods of time, unplug it from the wall outlet and disconnect the antenna or cable system. This will prevent damage to the product due to lightning and power-line surges.
- 14) **Refer all servicing to qualified service personnel. Servicing is required when the apparatus has been damaged in any way, such as power-supply cord or plug is damaged, liquid has been spilled or objects have fallen into the apparatus, the apparatus has been exposed to rain or moisture or does not operate normally, or has been dropped.**
- 15) **Power source**  
This product should be operated only from the type of power source indicated on the marking label. If you are not sure of the type of power supply to your home, consult your appliance dealer or local power company.  
For products intended to operate from battery power, or other source, refer to the operation instructions.
- 16) **Power lines**  
An outside antenna system should not be located in the vicinity of overhead power lines or other electric light or power circuits, or where it can fall into such power lines or circuits. When installing an outside antenna system, extreme care should be taken to keep from touching such power lines or circuits as contact with them might be fatal.



# Important Safety Instructions

## 17) Overloading

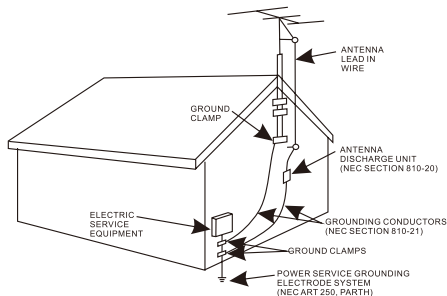
Do not overload wall outlets and extension cords as this can result in a risk of fire or electric shock.

## 18) Object and liquid entry

Never push objects of any kind into the product through openings as they may touch dangerous voltage points or short out parts that could result in fire or electric shock. Never spill or spray any type of liquid on the product.

## 19) Outdoor antenna grounding

If an outside antenna is connected to the product, be sure the antenna system is grounded so as to provide some protection against voltage surges and built up static charges. Section 810 of the National Electric Code ANSI/NFPA 70 provides information with respect to proper grounding of the mast and supporting structure, grounding of the lead-in wire to an antenna discharge product, size of grounding conductors, location of antenna-discharge product, connection to grounding electrodes and requirements for the grounding electrodes.



## 20) Service

Do not attempt to service this product yourself as opening or removing covers may expose you to dangerous voltage or other hazards. Refer all servicing to qualified service personnel.

## 21) Replacement parts

When replacement parts are required, be sure the service technician uses replacement parts specified by the manufacturer or those that have the same characteristics as the original parts. Unauthorized substitutions may result in fire or electric shock or other hazards.

## 22) Safety check

Upon completion of any service or repairs to this product, ask the service technician to perform safety checks to determine that the product is in proper operating condition.

## 23) Wall or ceiling mounting

The product should be mounted to a wall or ceiling only as recommended by the manufacturer.

## 24) Damage requiring service

Unplug this product from the wall outlet and refer service to qualified service personnel under the following conditions.

- When the power-supply cord or plug is damaged.
- If liquid has been spilled or objects have fallen into the product.
- If the product has been exposed to rain or water.
- If the product does not operate normally by following the operating instructions. Adjust only those controls that are covered by the operating instructions, as an adjustment of other controls may result in damage and will require extensive work by a qualified technician to restore the product to its normal operation.
- If the product has been dropped or the cabinet has been damaged.
- When the product exhibits a distinct change in performance-this indicates a need for service.

## 25) Note to CATV system installer

This reminder is provided to call the CATV system installer's attention to Article 820-40 of the NEC that provides guidelines for proper grounding and, in particular, specifies that the cable ground shall be connected to the grounding system of the building, as close to the point of cable entry as practical.

## NOTE:

**Refer all servicing to qualified service personnel. Servicing is required when the unit has been damaged in any form such as the following: the power-supply cord or plug has been damaged, liquid has been spilled into unit, the unit has been exposed to rain or moisture, the unit has been dropped or the unit does not operate normally.**

# Important Safety Instructions

## NOTES ON HANDLING:

- When shipping the DVD player, always use the original shipping carton and packing materials. For maximum protection, repack the unit as it was originally packed at the factory.
- Do not use volatile liquids, such as insect spray, near the DVD player. Do not leave rubber or plastic products in contact with the DVD player for a long time. They will leave marks on the finish.
- The top and rear panels of the DVD player may become warm after a long period of use. This is normal and not a malfunction.
- When the DVD player is not in use, be sure to remove the disc and turn off the power.

## NOTES ON LOCATING THE DVD PLAYER:

- When you place this DVD player near a TV, radio or VCR, the playback picture may become poor and the sound may be distorted. In this case, move the DVD player away from the TV, radio or VCR.

## NOTES ON CLEANING:

Use a soft, dry cloth for cleaning

- For stubborn dirt, soak the cloth in a weak detergent solution, wring well and wipe. Use a dry cloth to wipe it dry. Do not use any type of solvent, such as thinner and benzene, as this may damage the surface of the DVD player.
- If you use a chemical-saturated cloth to clean the unit, follow that product's instructions.

### Warning:

Cleaning and adjustment of lenses and /or other components of playback mechanism should be performed by a qualified service technician.

## NOTES ON MOISTURE CONDENSATION:

**Moisture condensation damages the DVD player. Please read the following carefully.**

- Moisture condensation occurs, for example, when you pour a cold drink into a glass on a warm day. Drops of water form on the outside of the glass. In the same way, moisture may condense on the optical pick-up lens inside this unit, one of the most crucial internal parts of the DVD player.

**Moisture condensation occurs during the following cases:**

- When you bring the DVD player directly from a cold place to a warm place.
- When you use the DVD player in a room where you just turned on the heater, or a place where the cold wind from the air conditioner directly hits the unit.
- In summer, when you use the DVD player in a hot and humid place just after you moved the unit from an air conditioned room.
- When you use the DVD player in a humid place.

**Do not use the DVD player where moisture condensation may occur.**

- If you use the DVD player in such a situation, it may damage discs and internal parts. Remove the disc, connect the power cord of the DVD player to the wall outlet, turn on the DVD player and leave it ON for two or three hours. After two or three hours, the DVD player will have warmed up and evaporated any moisture. Keep the DVD player connected to the wall outlet and moisture condensation will seldom occur.

# About Discs

## PLAYABLE DISCS:

The following discs can be played back on this DVD player:

## DISC TYPES:

### DVD

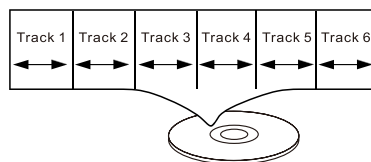
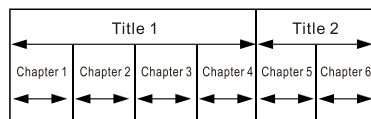
Data on most DVDs is divided into sections called titles and then into subsections called chapters, each of which is given a title or chapter number. Some features of this DVD player will not operate with some DVD discs as they are preset. If a function you selected does not run as desired, refer to the manual accompanying the DVD disc.

Compatible with DVD/DVD±R/DVD±RW/Kodak Picture JPEG/MP4.

### AUDIO CD:

Data on an audio CD is divided into sections called tracks, each of which is given a track number.

Compatible with CD/CD-R/CDRW/MP3.



## IMPORTANT:

It is important that you read the manual that accompanies the DVD disc, as there are features that are on the DVD player that cannot be used with certain DVDs. There are also extra features on the DVD disc that are different for each DVD disc, so they are not explained in this owner's manual.

**This player conforms to the NTSC and PAL color systems. However, if you are in the USA, Canada or Mexico, leave this setting on NTSC. If incorrectly set to PAL, the TV picture may roll vertically. In this case, set the TV system to NTSC accordingly.**

## Notes on Copyright:

It is forbidden by law to copy, broadcast, show, broadcast on cable, play in public and rent copyrighted material without permission. DVD video discs are copy protected, and any recordings made from these discs will be distorted. This product incorporates copyright protection technology that is protected by method claims of certain U.S. Patents and other intellectual property rights owned by Macrovision Corporation, and is intended for home and other limited viewing uses only, unless otherwise authorized by Macrovision Corporation. Reverse engineering or disassembly is prohibited.

## Region management information:

This DVD Player is designed and manufactured to respond to the Region Management Information that is recorded on a DVD disc. If the Region number described on the DVD disc does not correspond to the Region number of this DVD player, this DVD player cannot play that disc. You may not be able to play back some DVD video discs on this player if they were purchased from outside your geographic area or made for business purposes. When you try to play back an unauthorized disc, Wrong Region appears on the TV screen.

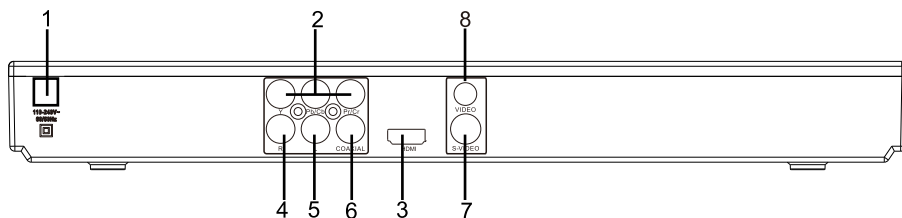
# Product Overview

## Front View



- |                            |                            |
|----------------------------|----------------------------|
| 1. Disc Tray               | 6. Play/Pause Button       |
| 2. USB function            | 7. Stop Button             |
| 3. LED display             | 8. Channel select          |
| 4. Remote Control Receiver | 9. Power On/Standby Button |
| 5. Open/Close Button       |                            |

## Rear View



- |                            |                                      |
|----------------------------|--------------------------------------|
| 1. Power Cable             | 5. Left Audio Output jack            |
| 2. Y/PbCb/PrCr Output jack | 6. Digital Coaxial Audio Output jack |
| 3. HDMI Output jack        | 7. S-Video Output jack               |
| 4. Right Audio Output jack | 8. Composite Video Output jack       |

# Remote Control

## 1. (▲) OPEN/CLOSE BUTTON

Opens and closes the disc tray.

## 2. OSD BUTTON

To display the current playback information.

## 3. 0-9 BUTTONS

To locate a title / chapter / track / specific time

**10+ Button** To select and switch to a track that is higher than 10.

## 4. TITLE BUTTON

Go to title menu.

## 5. MENU BUTTON

To display the DVD root menu.

## 6. SUBTITLE BUTTON

To select one of the subtitle languages programs on a DVD (if available).

## 7. DIRECTION BUTTONS ▲▼◀▶

Press to navigate and make selection for on-screen menus.

### ENTER Button

To confirm the selection or current operation.

## 8. REV / FWD BUTTONS ◀▶

To perform fast reverse / fast forward playback.

## 9. PLAY/PAUSE BUTTON (▶||)

To start and pause the playback.

## 10. VOL +/- BUTTONS

To increase and decrease volume.

## 11. STOP BUTTON (■)

To stop the playback.

## 12. VIDEO BUTTON

To change the video output mode.

## 13. PROGRAM BUTTON

To play the contents of the disc in the order you want by programming the track to be played.

## 14. STEP BUTTON

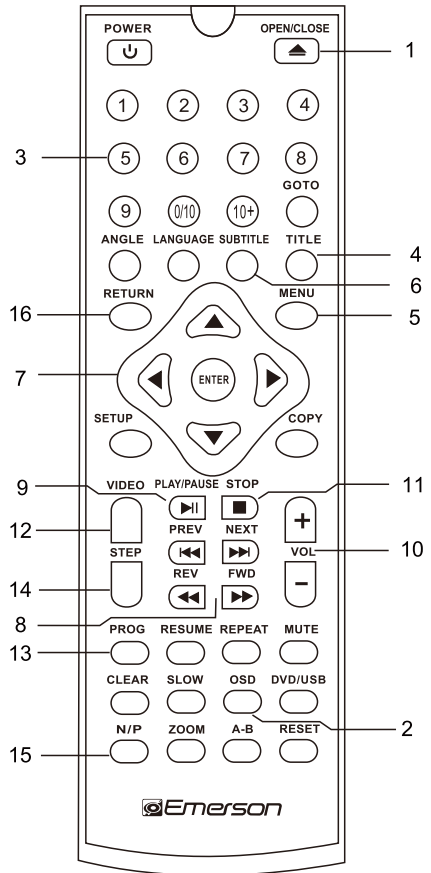
To play or move the playback forward frame by frame.

## 15. N/P BUTTON

To switch TV system.

## 16. RETURN BUTTON

To return to previous folder or files.





# Remote Control

## 17. POWER BUTTON

Turns the power on or restores the DVD player to standby mode.

## 18. GOTO BUTTON

To skip directly to a specific time / title / chapter / track on a DVD.

## 19. LANGUAGE BUTTON

Display the audio information or switch the channel.

## 20. SETUP BUTTON

Press to access or exit the SETUP menu.

## 21. ANGLE BUTTON

To switch between multiple camera angles programmed on a DVD (if available).

## 22. PREV / NEXT BUTTONS ◀◀ ▶▶

Press to skip to the previous/next track, title, or chapter.

## 23. MUTE BUTTON

Press to turn off/restore sound output from the player.

## 24. ZOOM BUTTON

To enlarge a picture on the screen.

## 25. A-B BUTTON

To repeat the playback from point A to point B on a disc.

## 26. CLEAR BUTTON

Clear programmed songs

## 27. REPEAT BUTTON

To toggle between different repeat modes.

## 28. SLOW BUTTON

Press to toggle between slow motion playback speeds.

## 29. DVD/USB BUTTON

Press this key to switch between DVD and USB.

## 30. RESUME BUTTON

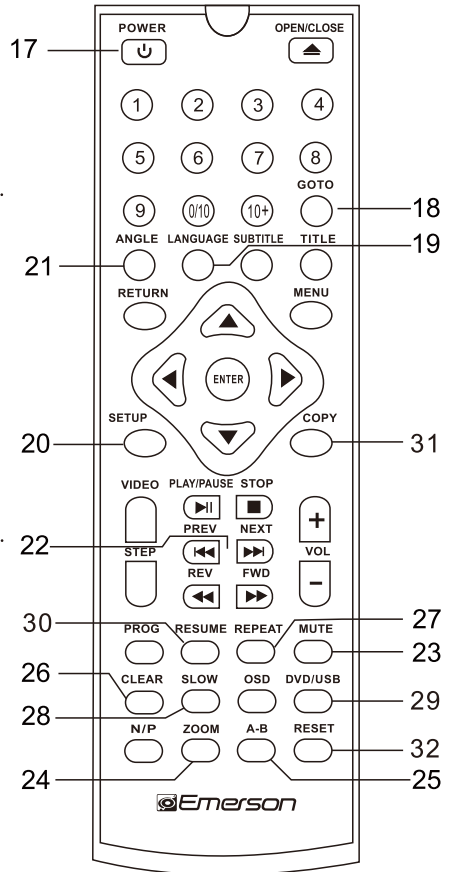
Press the RESUME key in the pre stop state to return to the original playback state.

## 31. COPY BUTTON

Press the COPY key to copy a disc song or video to USB.

## 32. RESET BUTTON

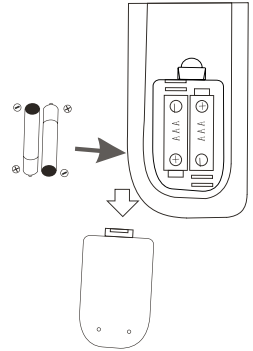
Press the RESET key to restore the machine to its factory settings.



# Operating the Remote Control

## Battery Installation

1. Press the tabs on the back door and lift off.
2. Insert two AAA size batteries into the battery compartment as shown in the illustration. Match the (+) and (-) polarity symbol markings inside the battery compartment.
3. Replace the battery door.



## BATTERY PRECAUTIONS:

- Improper or incorrect use of batteries may cause corrosion or battery leakage, which could cause fire, personal injury or damage to property.
- Only use the battery type indicated in this manual.
- When the batteries are exhausted, the remote will not function. Replace both batteries at the same time with new ones. Do not install new batteries with used ones and do not mix different types of batteries.
- Do not dispose of used batteries as domestic waste. Dispose of them in accordance with local regulations.

## HANDLING THE REMOTE CONTROL:

- Take care of your fingernails when you press and hold the battery release tab.
- Do not drop or cause impact to the remote control.
- Do not spill water or any liquid on the remote control.
- Do not place the remote control on a wet object.
- Do not place the remote control under direct sunlight or near sources of excessive heat.
- Remove the batteries from the remote control before storing it for a long period of time. This will reduce the chance of corrosion or battery leakage which could result in physical injury and/or property damage including fire.

## Remote Control Operation Range

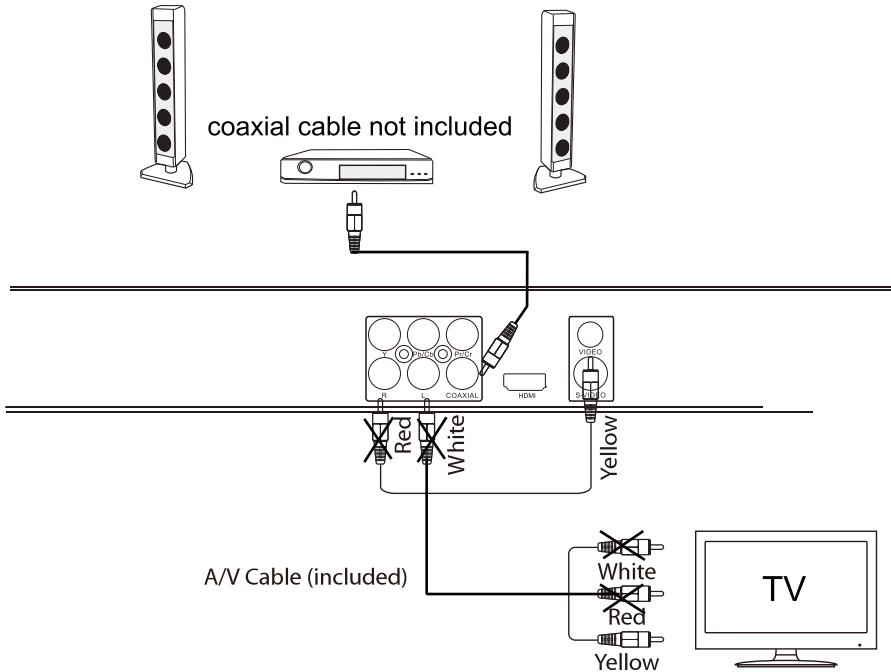
Point the remote control at the DVD player no more than 5 metres from the remote control sensor and within 60° of the front of the DVD player. The operating distance may vary depending on the brightness of the room.



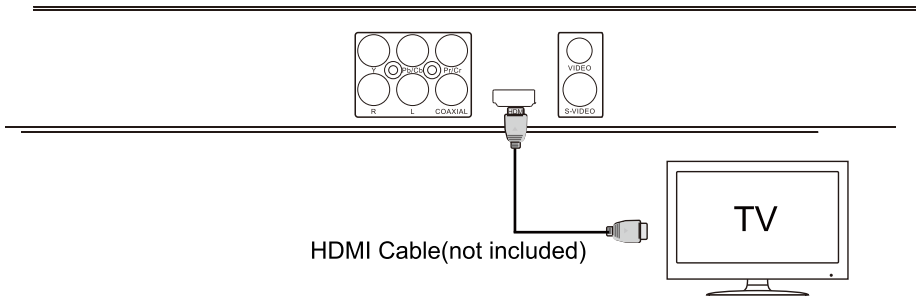
# Connections

When connecting any external AV device or TV, do not connect the power cable to the mains power socket until all other connections are complete.

## Method 1: Connecting to a Stereo System With a Coaxial Cable



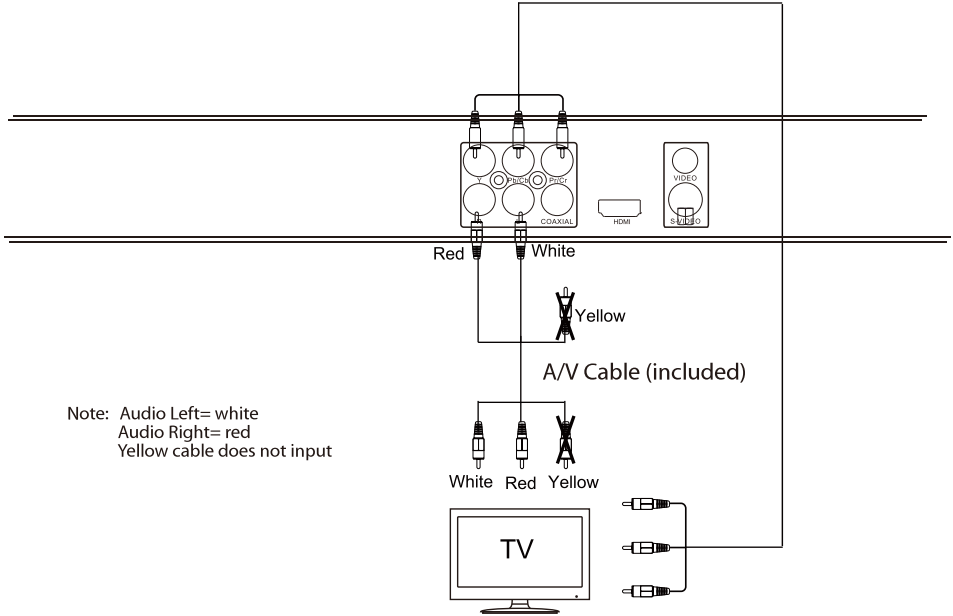
## Method 2: Connecting to a TV With an HDMI Cable



# Connections

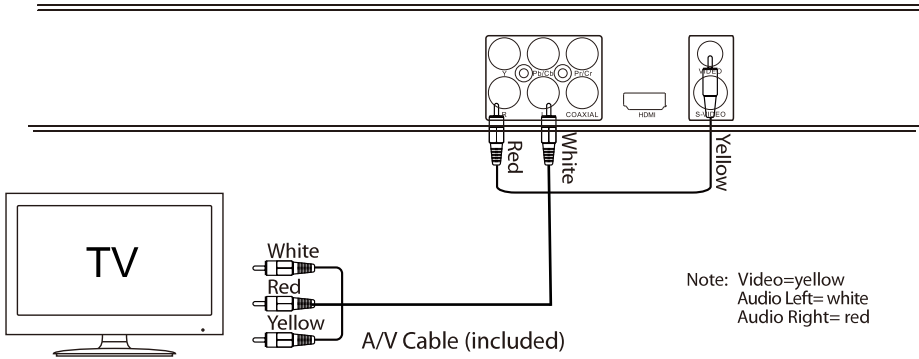
## Method 3: Connecting to a TV with a Component Cable

Component Video Cable (Y,Pb/Cb,Pr/Cr)(not included)

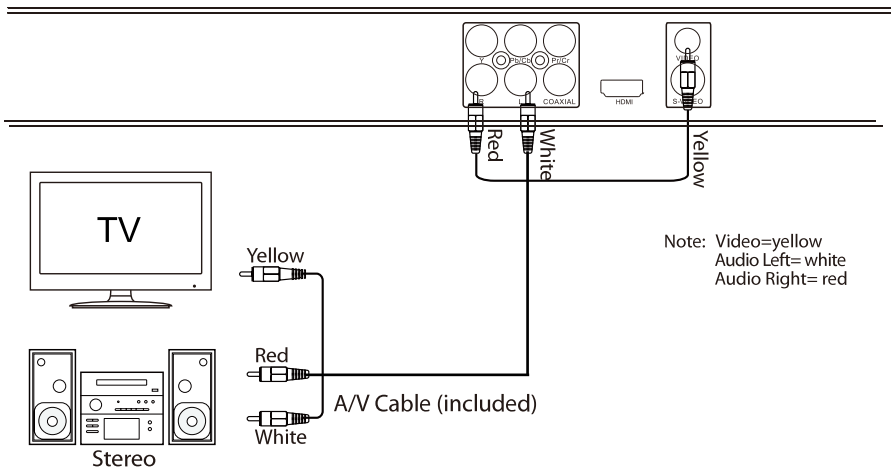


# Connections

## Method 4: Connecting to a TV with an AV Cable



## Method 5: Connecting to a Stereo System and TV with an AV Cable



# Operating System

## Playback of a DVD

*Unless otherwise stated, all operations described are based on Remote Control use.*

1. Insert the AC plug from the DVD player to a conveniently located AC outlet.
2. Connect the DVD player to the external TV  
Turn on the TV and set it to the input source that the DVD player is connected to.
3. Press the **⏻ POWER** button to turn the player on.
4. Press the **▶ OPEN/CLOSE** button to open the disc tray. Place the disc in the center of tray with the label side face up. Close the tray by pressing the **▶ OPEN/CLOSE** button. The unit will start playback automatically.
5. Press the **■ STOP** button to stop playback. The player will remember the point where disc was stopped. If you press the **▶ II** button again, playback will start from this point. To stop playback completely or to start again from the beginning, press the **■ STOP** button twice.

**Note:** If the player will not be used for a long period of time, turn off the player and unplug the AC Cord from the wall outlet.

### SEARCH (FWD, REV)

During playback, press either the **▶▶** button or the **◀◀** to move the DVD forward or backward at double (x2) speed to locate a specific section. Repeatedly press these buttons and the speed will increase to x4, x8, x20 then resume normal playback. Resume normal playback by pressing the **▶ II** button on the remote control or the **▶ II** button on the unit.

**Note:** This function is not available on all discs.

### SKIP (NEXT, PREV)

While a disc is playing, you can skip forward or backward a chapter or track at any time by pressing the **◀◀ PREV** or **▶▶ NEXT** button.

### LANGUAGE:

Press the **LANGUAGE** button repeatedly to selected available language/sound channels.

**Note:** This function is not available on all discs.

### SUBTITLE:

Press the **SUBTITLE** button repeatedly to select the subtitle language or turn the subtitle menu off. **Note:** This function is not available on all discs.

### MENU:

Press the **MENU** button; the menu of the current DVD will appear on the screen. Press the **▲, ▼, ◀, ▶** direction buttons to select the desired option, and then press the **ENTER** button to confirm the selection. **Note:** This function is not available on all discs.

### TITLE

Press the **TITLE** button; the title menu of the current DVD will appear on the screen. Use the **▲, ▼, ◀, ▶** direction buttons to select the desired option, then press the **ENTER** button to confirm the selection. **Note:** This function is not available on all discs.

# Operating System

## **OSD (ON SCREEN DISPLAY)**

During playback, press the **OSD** button repeatedly to read the information of playback status.

## **ZOOM**

During movie playback, press **ZOOM** button repeatedly to zoom in or zoom out the picture by 2X, 3X, 4X, 1/2, 1/3, 1/4. In zoom in mode, press the direction buttons to select the parts of the zoomed picture to watch, this function is not available on all discs.

Press the **ZOOM** button repeatedly to resume normal mode.

## **ANGLE**

If the multi-angle icon appears on the screen, it means more than one scene is available on the current DVD. Press the **ANGLE** button repeatedly to select the desired scenes.

**Note:** This function is not available on all discs.

## **MUTE**

Press the **MUTE** button to temporarily disable sound from the DVD player. Press it again to restore the sound.

## **VIDEO**

Press the **VIDEO** button repeatedly to set video output modes.

## **STEP**

During movie playback, press the **STEP** button repeatedly to play the movie frame by frame. Resume normal playback by pressing the **▶|| PLAY/PAUSE** button on the remote control or **▶||** play/pause button on the unit.

## **SLOW**

During movie playback, press the **SLOW** button repeatedly to slow down by 1/2, 1/3, 1/4, 1/5, 1/6, 1/7.

## **N/P**

Press the **N/P** button to switch the TV system accordingly.

## **REPEAT**

During movie playback, press the **REPEAT** button repeatedly to repeat chapter/title/all.

## **A-B Repeat**

Repeat a section between point A and B within a Title/Chapter/Track.

## **GOTO**

Press the **GOTO** button to display the Title/Chapter/Time selection, using the numeric button to input the desired title/chapter/time, press the **ENTER** button to play.

# Programming

## DVD PROGRAM

1) During DVD playback, press the **PROG** button. The Program menu will appear as below:

T	C	T	C	T	C	T	C
1	--:--	5	--:--	9	--:--	13	--:--
2	--:--	6	--:--	10	--:--	14	--:--
3	--:--	7	--:--	11	--:--	15	--:--
4	--:--	8	--:--	12	--:--	16	--:--
				PLAY	CLEAR		

- 2) Using the navigation and numeric buttons, you can select and set the desired TT (Title), CH (Chapters). If the input number is wrong or needed to modify, highlight the CLEAR button to clear and input again.
- 3) Using the navigation buttons, highlight and select the PLAY button at the bottom of the screen. Press the ENTER button on remote control to start the program playback.
- 4) Press the STOP button twice to exit playback.

## CD PROGRAM

1) During CD playback, press the **PROG** button. The Program menu will appear as below:

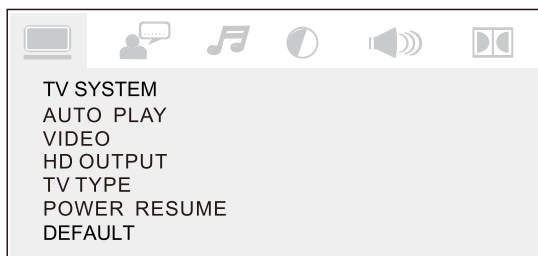
1	----	5	----	9	----	13	----
2	----	6	----	10	----	14	----
3	----	7	----	11	----	15	----
4	----	8	----	12	----	16	----
				PLAY	CLEAR		

- 2) Using the navigation and numeric buttons, you can select and set the desired Tracks (for CD). If the input number is wrong or needed to modify, highlight the CLEAR button to clear and input again.
- 3) Using the navigation buttons, highlight and select the PLAY button at the bottom of the screen. Press the ENTER button on remote control to start the program playback.
- 4) Press the STOP button twice to exit playback.



# System Setup

Press the SETUP Button, the setting menu will appear on the screen as below. Using the Direction ◀, ▶, ▲, ▼ Buttons to select and highlight the function you need to set or reset. Press the ENTER Button to enter or confirmed the selection. After setting, press the SET UP Button to save the settings and exit.



## SYSTEM SETUP Page:

1. If TV SYSTEM is selected, using the direction and ENTER buttons to set the TV system to NTSC, PAL or AUTO.  
(NOTE: TV system in USA, Canada and Mexico is NTSC)
2. When set to AUTO PLAY ON, after reading the disc, it will not stay in the menu and will automatically enter the track playback state. When set to AUTO PLAY OFF, after reading the disc, it will stay in the menu and can only be played after manually selecting the track.
3. Follow the operating instructions in Select the option 'System Configuration' Desiring. You must configure based on which port come from Output will be connected Go watch TV.
4. If you want to choose HD output, you can choose Video output mode, which will appear in the Options: 480P/576P, 720P, 1080 I, 1080P.
5. If TV TYPE is selected, using the direction and ENTER buttons to set the aspect ratio to match the connected TV.
6. When setting the power supply, it will restart after disconnecting the power supply. Feed, the machine will automatically return to the state before cutting Energy. When Power Resume Off is set, it restarts after disconnecting Power supply, the machine has no memory function.
7. If DEFAULT is selected, using the direction and ENTER buttons to restore factory setting.

## LANGUAGE SETUP Page:

If OSD, Audio, Subtitle or Menu is selected, using the direction and ENTER buttons to set the priority as desired. (Function depend the recording of DVD).

# System Setup

## **VIDEO SETUP Page:**

1. If VIDEO is selected, using the Direction and ENTER Buttons to set it to VIDEO, P-SCAN or YUV to match the connection of TV.
  - ~ Set to VIDEO if you connected TV through A/V(L,R,VIDEO)Jacks.
  - ~ Set to P-SCAN if you connected TV through Component Y/Pb/Pr Jacks.
  - ~ Set to YUV if you connected TV through Component Y/Cb/Cr Jacks.
2. If Resolution is selected, using the Direction and ENTER Buttons to choose a resolution setting to match the performance of your TV.

## **SPEAKER SETUP Page:**

1. If Downmix is selected, using the direction and ENTER buttons set it to LT/RT; Stereo as the audio output connection:
  - ~ Set to LT/RT if you connected the DVD Player to TV through 2.1 Audio connection jacks and plays the Surround Left or Surround Right channel in both Surround Left and Right speakers.
  - ~ Set to Stereo if you connected the DVD Player to TV through 2.1 Audio connection jacks.
2. If AUDIO OUTPUT is selected, using the direction and ENTER buttons to set it to SPID/OFF, SPDIF/RAW or SPDIF/PCM to match the decoding system of the connected external audio amplifier (with digital decoder) through the Coaxial Digital Audio Output jack.

## **DIGITAL SETUP Page:**

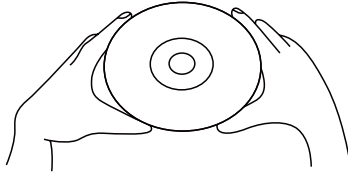
1. If Dynamic is selected, using the direction and ENTER buttons to set the dynamic level as desired or turn it off.
2. If Dual Mono is selected, using the direction and ENTER buttons to set it to STEREO, MONO L (Play Left channel on all speakers), MONO R (Play Right channel on all speakers) or MIX MONO (Mixed Right and Left channel then plays on all speakers) as desired. (Functions depend on the recording of the disc).

# Care and Maintenance

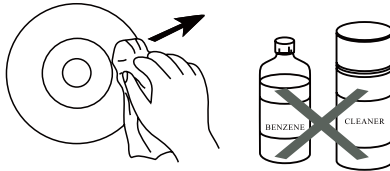
## CARING FOR DISCS

Treat the disc carefully. Handle the disc only by its edges.

Never allow your fingers to contact the shiny, unprinted side of the disc.



- Do not attach adhesive tape, stickers, etc. to the disc label.
- Clean the disc periodically with a soft, lint-free, dry cloth. Never use detergents or abrasive cleaners to clean the disc. If necessary, use a CD cleaning kit.
- If a disc skips or gets stuck on a section of the disc, it is probably dirty or damaged (scratched).
- When cleaning the disc, wipe in straight lines from the center of the disc to the outer edge of the disc. Never wipe in circular motions.



- Discs should be stored in their cases after each use to avoid damage.
- Do not expose discs to direct sunlight, high temperatures or dust, etc. Prolonged exposure or extreme temperatures can warp the disc.
- Do not stick or write anything on either side of the disc. Sharp writing instruments, or the ink, may damage the surface.

## CLEANING THE UNIT

- To prevent fire or shock hazard, disconnect your unit from the AC power source when cleaning.
- The finish on your unit may be cleaned with a dust cloth and cared for as any other furniture. Use caution when cleaning and wiping the plastic parts.
- Mild soap and a damp cloth may be used on the front panel.

# Troubleshooting Guide

## CHECK THE FOLLOWING SYMPTOMS BEFORE REQUESTING SERVICE:

PROBLEM	POSSIBLE CAUSE	POSSIBLE SOLUTION
No power.	AC cord is unplugged.	Plug AC cord into an AC outlet.
Power is on, but unit is not functioning properly.	Condensation has formed.	Unplug the unit and wait about 1-2 hours for unit to dry out.
	Wrong type of disc, or the disc is corrupt.	Try other discs.
	The disc is dirty or inserted incorrectly.	Clean disc and re-insert with label side up.
No picture and/or no sound.	The connection cables are not installed correctly.	Re-install the cables.
	Settings on the video output of the player are incorrect.	Press the VIDEO button repeatedly until the correct picture displays on the TV.
	The connected TV may be turned off.	Turn the power strip on (if used). Turn the TV on.
Playback picture is rolling	Settings are wrong in the color system of the player	Press the N/P button on the remote control repeatedly until the correct picture displays on the TV.
Poor picture quality.	The disc is dirty or damaged.	Clean the disc as best you can and try again.
The remote control is not working.	The batteries are weak or dead.	Replace with new batteries.
	The batteries are not installed properly.	Install the batteries following the polarity markings shown inside the battery compartment.
	The remote is not aimed at the sensor.	Lower the lights in the room and aim the remote at sensor.
	Distance is too far.	Operate within 5 m (16 feet).
	An obstacle is in the path of the beam.	Move obstacle.
The unit does not start playback.	Rating level set to block the TV.	Remove the lock with the password.
	DVD not inserted or DVD inserted upside down.	Insert DVD correctly.
	A non-playback disc is inserted.	Try another CD/DVD disc.
	The disc is not placed correctly in the guide.	Adjust the disc until it is seated firmly in the guide of the disc tray.
	The disc is dirty or damaged.	Clean the disc as best you can and try again.
Some functions do not work.	Some features and functions are not available on all discs.	Function may not be available on the disc. Try another disc.
Selected language is not audible, or is not showing in the subtitles.	If the Audio or Subtitle Language selection does not appear on the disc, then the initial setting will not be seen or heard.	Function is not available for that disc. Try another disc.
Subtitles are not working properly.	Subtitles appear only when the disc contains them.	Function is not available for that disc. Try another disc.
	Subtitles are not turned on.	Turn the subtitles on.
Angle cannot be changed.	Angles may not be recorded on the disc (see jacket/case), or they may only be recorded on a certain section of the disc.	Try another disc. The multi-angle may not be available on the whole disc. Wait until the multi-angle icon appears on the screen then press the <b>ANGLE</b> button on the remote control to change the angle on screen.

# Specifications

Power Source .....110-240V~50/60Hz  
Power Consumption .....10 W  
Signal System.....NTSC / PAL  
Operating Temperature .....+5°C to +35° C  
Operating Humidity Range .....5% to 90% (no condensation)

## **DISCS PLAYED:**

### **DVD-VIDEO DISC**

12cm single-sided, single layer  
12cm single-sided, dual layer  
12cm double-sided, single layer  
8cm single-sided, single layer  
8cm single-sided, dual layer  
8cm double-sided, single layer

### **COMPACT DISC (VIDEO CD)**

12 cm disc  
8 cm disc  
Video Output Level       1 Vp-p  
Audio Output Level       1.8 ± 0.2 Vrms (1KHz,0 dB)

## **AUDIO SIGNAL OUTPUT CHARACTERISTICS:**

Frequency Responses:  
DVD (Linear Audio).....20Hz ~ 20KHz (48KHz / 96KHz sampling)  
CD Audio .....20Hz ~ 20KHz  
S/N Ratio .....70 dB

## **PICKUP:**

Wavelength .....655nm  
Laser Power .....Classe 1

Specifications are subject to change without notice.

# Support

If you have problems with your device, please consult the instructions in this manual. Please also visit us on the web at [www.emersonaudio.com](http://www.emersonaudio.com) to get up to the minute news, alerts, and documentation for your device.

For additional assistance, please contact Emerson Technical Support.

## **Emerson Technical Support**

2320 East 49th St.

Vernon, CA 90058

Tel: 323 583-8883

Email: [support@emersonaudio.com](mailto:support@emersonaudio.com)

Made In China



---

# Reproductor de DVD con función de conversión de alta definición

(DVD) HDMI

MODEL:ED-8000



## MANUAL DE OPERACIÓN

FAVOR DE LEER ESTE MANUAL COMPLETAMENTE ANTES DE OPERAR Y/O  
CONECTAR ESTE PRODUCTO.  
CONSERVAR EL MANUAL PARA FUTURAS REFERENCIAS.

## IMPORTANTES INSTRUCCIONES DE SEGURIDAD



### PRECAUCIÓN

RIESGO DE CHOQUE ELÉCTRICO,  
NO ABRIR



**PRECAUCIÓN:** PARA REDUCIR EL RIESGO DE CHOQUE ELÉCTRICO NO REMOVER LA CUBIERTA (O TAPA), DENTRO DE ESTE APARATO NO HAY PARTES QUE EL USUARIO PUEDA DARLE SERVICIO, ACUDIR A UN CENTRO DE SERVICIO AUTORIZADO O CON PERSONAL CALIFICADO.



El símbolo del relámpago con punta de flecha dentro de un triángulo, es diseñado para advertir al usuario de VOLTAJES PELIGROSOS no aislados dentro del aparato que pueden ser de magnitud suficiente para constituir riesgo de fuego o choque eléctrico para las persona.



El símbolo de exclamación dentro de un triángulo, es para alertar al usuario de la presencia de instrucciones importantes de operación, mantenimiento y servicio que se encuentran dentro de este instructivo



**PELIGRO:** Radiación láser peligrosa e invisible existe cuando la cubierta del rayo láser es abierta y los seguros son liberados. Evitar la exposición directa al rayo láser.

### PRECAUCION:

- ESTE REPRODUCTOR DE DISCO VERSÁTIL DIGITAL EMPLEA UN SISTEMA DE RAYO LASER.
- PARA ASEGURAR UN USO ADECUADO DE ESTE PRODUCTO, FAVOR DE LEER DUIDADOSAMENTE ESTE MANUAL DE OPERACIÓN Y RETENERLO PARA FUTURAS REFERENCIAS.
- EN CASO DE QUE EL REPRODUCTOR REQUIERA MANTENIMIENTO, CONTACTAR AL CENTRO DE SERVICIO AUTORIZADO.
- EL USO DE CONTROLES, AJUSTES O PROCEDIMIENTOS DIFERENTES A LOS ESPECIFICADOS EN EL MANUAL, PUEDEN RESULTAR EN EXPOSICION A RADIACION LASER PELIGROSA.
- PARA PREVENIR LA EXPOSICION DIRECTA AL RAYO LASER NO ABRIR LA CUBIERTA DEL RAYO LASER, RADIACION LASER INVISIBLE PUEDE ESTAR PRESENTE CUANDO LA CUBIERTA ES ABIERTA Y LOS SEGUROS SON LIBERADOS.
- NO MIRAR DIRECTAMENTE AL RAYO LASER.

### ADVERTENCIA:

PARA REDUCIR EL RIESGO DE FUEGO O CHOQUE ELECTRICO, NO EXPONER ESTE PRODUCTO A LA LLUVIA, GOTEÓ, SALPICADURA DE AGUA O HUMEDAD

### ADVERTENCIA:

PARA REDUCIR EL RIESGO DE FUEGO O CHOQUE ELECTRICO O CUALQUIER INTERFERENCIA, USAR SOLO ACCESORIOS RECOMENDADOS.

### PROTECTOR DE SOBRE VOLTAJE

Se recomienda el uso de un protector de sobre voltaje para la conexión de corriente alterna. Las tormentas eléctricas y sobre voltajes NO SON cubiertos por la garantía.

### LO QUE LA FCC DESEA QUE CONOZCA

Este equipo ha sido probado y cumple con las limitaciones de un equipo digital Clase B, de acuerdo con la Parte 15 de las Normas FCC. Estos límites están diseñados para permitir una protección razonable contra interferencia dañina en una instalación residencial.

Este equipo genera, usa y puede emanar energía de frecuencia radial y, de no ser instalado y utilizado de acuerdo con las instrucciones, puede causar interferencia dañina a las comunicaciones radiales. Sin embargo, no existe garantía de que la interferencia no pueda ocurrir en una instalación particular.

Si este equipo causa una interferencia dañina a la recepción de la radio o la televisión, lo cual se puede determinar encendiendo y apagando el equipo, se recomienda al usuario tratar de corregir la interferencia mediante una o más de las siguientes medidas:

- Oriente nuevamente o reubique la antena receptora.
- Aumente la separación entre el equipo y el receptor.
- Conecte el equipo a una salida de un circuito diferente al receptor.
- Consulte a su proveedor o a un técnico de Radio y televisión.

Cualquier cambio o modificación no expresamente aprobada por la parte responsable del cumplimiento puede anular la autoridad del usuario para operar este reproductor. Donde el cable de interfaz blindado que se suministra con el reproductor, así como componentes y accesorios adicionales definidos para ser usados con la instalación del reproductor, deben usarse de forma adecuada para garantizar el cumplimiento de las normas FCC.

### ADVERTENCIA

**USAR EL REPRODUCTO BAJO LA SUPERVISION DE UN ADULTO DEBIDO A LA LONGITUD DEL CORDON DE ALIMENTACIÓN**

Este reproductor cuenta con un cordón de alimentación largo, en el cual se pueden tropezar o enredarse causando lesiones. Favor de asegurarse que el cordón es colocado de tal manera que no cuelga sobre la mesa, librero, etc. donde no pueda ser jalado por los niños o donde puedan enredarse accidentalmente.

**TENER PRECAUCION AL MANEJAR EL REPRODUCTOR DEBIDO A QUE TIENE PUNTAS FILOSAS**

Fabricado bajo licencia de Dolby Laboratories  
Dolby y el símbolo de Doble-D son marca registrada de Dolby Laboratories



## IMPORTANTES INSTRUCCIONES DE SEGURIDAD

Antes de usar el reproductor, asegurarse de leer todas las instrucciones de operación cuidadosamente. Favor de observar que estas son precauciones generales y algunas pueden no ser aplicables al reproductor. Por ejemplo, el reproductor puede no tener la capacidad para ser conectado a una antena exterior.

### 1. Leer las instrucciones

Deben leerse todas las instrucciones de operación y de seguridad antes de operar este producto.

### 2. Conservar las instrucciones

Deben conservarse las instrucciones de operación y seguridad para futuras referencias.

### 3. Poner atención a las advertencias

Todas las advertencias en el aparato y las instrucciones de operación y seguridad deben de respetarse.

### 4. Seguir las instrucciones

Deben seguirse todas las instrucciones de uso y operación.

### 5. Agua y humedad

No usar este aparato cerca del agua, por ejemplo cerca de una bañera, lavabo, fregadero de cocina o de lavar, sótanos húmedos o cerca de una piscina.

### 6. Limpiar solo con una tela seca

Desconectar el reproductor del tomacorriente antes de darle mantenimiento o limpieza. No usar limpiadores líquidos o en aerosol. Para limpiar el reproductor usar una tela suave, limpia y seca.

### 7. Ventilación

Las ranuras y aberturas en la parte posterior y posterior del gabinete son provistas para la ventilación y asegurar la buena operación del reproductor y protegerlo del sobrecalentamiento. No deben bloquearse o taparse estas aberturas, colocando el aparato sobre una cama, sofá alfombra u otra superficie similar. El reproductor no debe colocarse cerca o sobre un radiador o fuentes de calor. El reproductor no debe colocarse en un librero o estante que impida el flujo del aire a través de las ranuras de ventilación.

### 8. Calor

El reproductor debe colocarse lejos de fuentes de calor como radiadores, registros de calor, estufas u otros productos que producen calor (incluso amplificadores).

### 9. Terminal de tierra y polarización

No eliminar la característica de seguridad de una clavija polarizada o clavija con terminal a tierra, esta es una medida de seguridad. Una clavija polarizada cuanta con dos terminales con una terminal más ancha que la otra. Una clavija con terminal a tierra cuenta con dos terminales con una tercera terminal con conexión a tierra. Si la clavija no entra completamente la clavija en el tomacorriente, intentar meterla de nuevo volteando la clavija; si tampoco la clavija entra completamente consultar a un electricista o personal calificado para reemplazar el tomacorriente obsoleto.

### 10. Protección del cordón de alimentación

El cordón de alimentación debe colocarse de forma tal que no exista probabilidad de pisarlo o apretarlo sobre los lugares donde será colocado o contra el aparato mismo. Poner atención particular en el cordón, la clavija, el tomacorriente y en los puntos en donde estos salen del aparato.

### 11. Usar solo accesorios o refacciones recomendados por el fabricante.

### 12. Manejo y desplazamiento

No colocar este aparato en un carrito, plataforma, repisa o mesa inestables, el aparato puede caerse generando serias lesiones y daños a las personas y/o al aparato.

Usar este aparato solo con el carrito, plataforma, repisa o mesa recomendado por el fabricante o vendido con el aparato. La combinación del aparato y de un carrito debe moverse con cuidado. Las paradas repentinas, fuerza excesiva y las superficies desniveladas pueden generar que el aparato y el carrito se vuelquen.



### 13. Tormentas eléctricas o periodos sin uso

Desconectar el reproductor del tomacorriente durante tormentas eléctricas o cuando no va ser usado por un periodo largo de tiempo para protegerlo. También desconectar la antena exterior o el sistema de cable. Esto protege al reproductor de daños debido a los rayos o sobre líneas de poder.

### 14. Referir todo Servicio

Referir todo servicio a un centro de servicio autorizado o con personal calificado. El servicio es requerido cuando el aparato ha sido dañado de alguna manera, como el cordón de alimentación o clavija dañada, ha sido derramado líquido o han caído objetos en el interior del aparato, el aparato ha sido expuesto a la lluvia o humedad, el aparato no opera normalmente o se ha dejado caer.

### 15. Fuentes de alimentación

Este aparato debe ser operado solo con los tipos de fuentes de alimentación indicados en la etiqueta de marcado, si no está seguro del tipo de la fuente de poder de su casa, consultar con su proveedor o con la compañía de electricidad local. Para aparato diseñados para operar con baterías u otras fuentes, referirse al manual de operación.

### 16. Líneas de poder

No debe de colocarse un sistema de antena exterior cerca de las líneas eléctricas aéreas, luces o circuitos eléctricos, o en donde pueda caer sobre dichas líneas eléctricas o circuitos. Al instalar un sistema de antena exterior, tener cuidado extremo de no tocar las líneas o circuitos eléctricos, el contacto con ellos puede resultar fatal.

## IMPORTANTES INSTRUCCIONES DE SEGURIDAD

### 17. Sobrecarga

No sobrecargar los tomacorrientes, cordones de extensión y los receptáculos ya que pueden generar riesgo de fuego o choque eléctrico.

### 18. Entrada de objetos y líquidos

No introducir objetos de cualquier tipo dentro de este aparato a través de las ranuras o aberturas, estos pueden llegar a tocar puntos de voltaje peligroso o salidas que pueden resultar en riesgo de fuego o choque eléctrico. No derramar o rociar cualquier tipo de líquido sobre las ranuras de ventilación del aparato.

### 19. Antena exterior

Si una antena exterior es conectada en el aparato, asegurar que el sistema de antena es puesto a tierra para proveer protección contra sobre voltaje y cargas de corriente estática acumulada. La sección 810 del NEC (National Electrical Code), ANSI/NFPA 70, Provee información respecto a la apropiada puesta a tierra del poste y la estructura de soporte, cables principales, productos de descarga de la antena, tipos de conductores a tierra, localización de los puntos de descarga de la tierra, conexión a tierra de los electrodos y los requisitos de los electrodos de conexión a tierra (ver figura)

### 20. Servicio

No intentar dar servicio usted mismo a este aparato, abriendo o removiendo las cubiertas, puede exponerse a voltajes peligrosos u otros riesgos.

### 21. Reemplazo de partes

Cuando es necesario el reemplazo de partes, asegurarse que el servicio técnico use partes especificadas por el fabricante o que tengan las mismas características que las partes originales. El reemplazo de partes no autorizadas puede resultar en fuego, choque eléctrico u otros riesgos.

### 22. Verificar las medidas de seguridad

Una vez que se ha completado cualquier tipo de servicio o reparación a este aparato, solicitar al técnico de servicio que realice las pruebas de seguridad para poder determinar que el aparato está en condiciones apropiadas de operación.

### 23. Colocación en la pared o techo

El aparato debe de colocarse en la pared o techo de acuerdo a como lo especifica el fabricante.

### 24. Daños que requieren servicio

Desconectar el aparato del tomacorriente de pared y acudir a un centro de servicio autorizado o con personal calificado bajo las siguientes condiciones

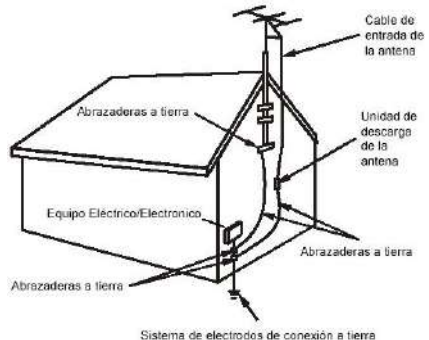
- Cuando la clavija o el cordón de alimentación estén dañados.
- Cuando ha sido derramado líquido o han caído objetos en el interior del aparato.
- Si el aparato ha sido expuesto a la lluvia o agua.
- Si el aparato no opera adecuadamente siguiendo las instrucciones de operación. Ajustar solo los controles que son indicados en este manual de operación. El ajuste de otros controles puede ocasionar daños y a menudo se requiere de trabajo excesivo del servicio técnico para restablecer la operación normal del aparato.
- Si el aparato se ha caído o golpeado o si la cubierta está dañada.
- Si el aparato exhibe cambios en su funcionamiento normal.

Todo lo anterior indica la necesidad de darle servicio al aparato.

### 25. Instalación del sistema de cable

Este recordatorio se proporciona para llamar la atención respecto al artículo 820-40 del NEC de la instalación del sistema de cable que proporciona las pautas para la adecuada conexión a tierra y, en particular, en los puntos específicos en el que cable a tierra debe ser conectado al sistema de tierra del edificio, tan cerca del punto de entrada del cable como sea práctico.

**NOTA: Referir todo servicio al centro de servicio autorizado. El servicio es requerido cuando el producto ha sido dañado de cualquier forma, si la clavija o cordón de alimentación están dañados, se ha derramado líquido o han caído objetos en el interior del producto, el producto ha sido expuesto a la lluvia o humedad, el producto no opera normalmente o se ha caído.**



## IMPORTANTES INSTRUCCIONES DE SEGURIDAD

### NOTAS SOBRE EL MANEJO DEL REPRODUCTOR

- Cuando envíe el reproductor siempre usar el empaque y los materiales de empaque originales para una máxima protección. Volver a empacar el reproductor de la forma como venía empacado originalmente en la fábrica.
- No usar líquidos volátiles, como rocíos contra insectos cerca del reproductor. No dejar productos de hule o plástico en contacto con el reproductor por largo periodo de tiempo. Estos pueden dejar marcas sobre el acabado del gabinete.
- Los paneles posteriores y superiores del reproductor pueden calentarse después de un periodo largo de operación. Esta es una condición normal y no significa mal funcionamiento.
- Cuando el reproductor no va ser usado por un periodo largo de tiempo, asegurarse de remover el disco y desconectar el reproductor del tomacorriente.

### NOTAS SOBRE LA LOCALIZACION DEL REPRODUCTOR

- Al conectar el reproductor cerca de una TV, radio o videocasetera, la imagen reproducida puede ser de baja calidad y el sonido puede distorsionarse. En este caso, mover el reproductor lejos de la TV, radio o videocasetera.

### NOTAS SOBRE LA LIMPIEZA

#### Usar una tela suave, limpia y seca para la limpieza

- Para suciedad fuerte, humedecer la tela en una solución de agua con jabón suave; presionar bien y limpiar. Usar entonces una tela suave, limpia y seca para limpiar la humedad. No usar ningún tipo de solvente, como thinner o benceno debido a que estos pueden dañar el acabado del gabinete.
- Si usa un producto químico saturado para limpiar el reproductor, seguir las instrucciones del producto.

**Advertencia:** La limpieza y ajuste del lente láser y/o otros componentes del mecanismo de reproducción debe ser realizado por el centro de servicio autorizado o por personal calificado.

### NOTAS SOBRE LA CONDENSACION DE HUMEDAD

#### La condensación de humedad puede dañar al reproductor

#### Favor de leer la siguiente nota cuidadosamente

- La condensación de humedad ocurre por ejemplo cuando se coloca un vaso de cristal con agua fría en un día caluroso, formando gotas de agua en el exterior del vaso de cristal. De la misma manera la condensación de humedad puede formarse en el lente láser en el interior del reproductor, una de las más cruciales partes internas del reproductor.

#### La condensación de humedad se forma en los siguientes casos:

- Al mover el reproductor de un lugar frío a un lugar templado.
- Al usar un reproductor en un cuarto donde repentinamente el sistema de calefacción es encendido o cuando el reproductor es colocado directamente donde sobre la salida de aire frío del aire acondicionado.
- En verano, al usar el reproductor en un lugar con calor y humedad justo después de moverlo de un cuarto con aire acondicionado.
- Al usar el reproductor en un lugar con humedad.

#### No usar el reproductor cuando se forma condensación de humedad en su interior

- Si usa el reproductor en esta situación, esto puede causar daños a las partes internas o a los discos. Remover el disco y conectar el cordón de alimentación al tomacorriente, encender el reproductor y dejarlo encendido dos o tres horas. Después de dos o tres horas, el reproductor se habrá calentado y la humedad se evapora. Al mantener conectado el reproductor al tomacorriente, la condensación de humedad se forma raramente.

## ACERCA DE LOS DISCOS

### DISCOS REPRODUCIBLES

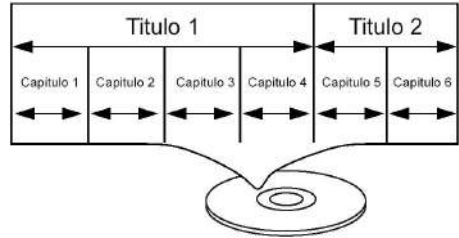
Los discos con el siguiente logo pueden ser reproducidos en el reproductor.

### TIPOS DE DISCOS

#### DVD

Los datos en los discos DVD están divididos en secciones llamadas títulos y estos están subdivididos a su vez en secciones llamadas capítulos, cada uno cuenta con un número de título o capítulo. Algunas características de este reproductor de DVD no operan con algunos discos que son prefijados. Si una función que selecciona no opera como desea, referirse al manual del disco.

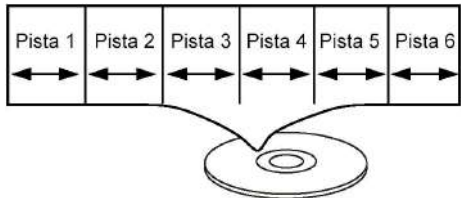
Compatible con DVD / DVD±R / DVD±RW / IMÁGENES KODAK JPEG / MP4



#### AUDIO CD

Los datos en los discos de audio están divididos en secciones llamadas pistas, cada pista está designada con un número.

Compatible con CD / CD-R / CDRW / MP3



### IMPORTANTE

Es importante leer el manual de los discos, ya que estos muestran las características por las cuales algunos no pueden ser reproducidos en algunos reproductores. Estos también muestran características extras de los discos que son diferentes a otros discos, esto es explicado en el manual de los mismos.

**Este reproductor opera con dos sistemas de color NTSC y PAL. Sin embargo, en la región de México, Canadá y Estados Unidos dejar el sistema en NTSC. Si está ajustado el sistema en PAL, la imagen en la pantalla de la TV puede desplazarse verticalmente, en este caso ajustar el sistema de la televisión a NTSC (el sistema de color de México es NTSC).**

### NOTAS SOBRE DERECHOS DE AUTOR

Está prohibido bajo las leyes de derecho de autor copiar, reproducir, transmitir por cualquier medio, etc. material con derecho de autor sin previa autorización. Los discos DVD están protegidos con derecho de autor y cualquier grabación hecha de estos discos será distorsionada. Este productor incorpora tecnología de protección de derechos de autor que son protegidos por métodos de algunas patentes en E.U.A. y otros derechos intelectuales propiedad de Macrovision Corporation y están diseñados para el hogar y otros límites para el usuario solamente. Sin la autorización de Macrovision Corporation. Está prohibida la reingeniería o desensamblado del reproductor.

### INFORMACION DE LA REGION

Este reproductor está diseñado y fabricado para responder a un código de región el cual está grabado en el disco DVD. Si el código de región del reproductor no corresponde con el código de región marcado en el disco DVD, el disco no puede ser reproducido. No puede reproducir discos DVD si estos están marcados con un código de región diferente al del reproductor y la pantalla de la TV despliega región errónea. Para México el código de región es 4.

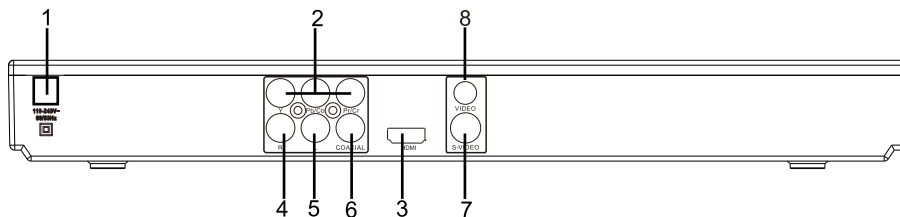
## DESCRIPCION DE PARTES

### PANEL FRONTAL



1. Disc Tray
2. Función USB
3. Pantalla LED
4. Receptor del infrarrojo "IR"
5. Botón para Abrir/Cerrar bandeja del disco "OPEN/CLOSE"
6. Botón de Reproducir / Pausar "PLAY/PAUSE"
7. Botón de Detener Reproduccion "STOP"
8. Selección de canales
9. Botón de Poder / Espera "POWER"

### PANEL POSTERIOR



1. Cordón de alimentación
2. Conector de salida Y / Pb/Cb / Pr/Cr
3. Conector de salida HDMI
4. Conector de salida de audio derecho R
5. Conector de salida de audio izquierdo L
6. Conector de salida de audio digital coaxial COAXIAL
7. Conector de salida de s-video compuesto S-VIDEO
8. Conector de salida de video compuesto VIDEO

## DESCRIPCION DEL CONTROL REMOTO

### 1. Botón para Abrir/Cerrar "OPEN/CLOSE"

Presionar para Abrir/Cerrar bandeja del disco.

### 2. Botón de Despliegue "OSD"

Presionar para desplegar la información actual de reproducción.

### 3. Botones numéricos "0-9"

Presionar para seleccionar un título / capítulo / pista / tiempo específico o ingresar al control de padres.

**Botón 10+** - Presionar para seleccionar y cambiar a una pista mayor a 10

### 4. Botón de Título "TITLE"

Presionar para ir al menú del título.

### 5. Botón de Menú "MENU"

Presionar para desplegar la raíz del menú del DVD.

### 6. Botón de Subtítulo "SUBTITLE"

Presionar para seleccionar el idioma del subtítulo de los programas en el DVD (si están disponibles)

### 7. Botones de Dirección "◀ ▶ ▲ ▼"

Presionar para desplazarse y realizar una selección en los menús desplegados en pantalla

### Botón de Aceptar "ENTER"

Presionar para confirmar la selección u operación actual.

### 8. Botones de Regreso / Avance rápido "◀◀, ▶▶"

Presionar para regresar o avanzar rápidamente en la reproducción.

### 9. Botón de Reproducir / Pausar "▶ ||"

Presionar para iniciar o pausar la reproducción.

### 10. Botones de Volumen "Vol-, Vol+"

Presionar para disminuir o aumentar el volumen al nivel deseado.

### 11. Botón de Detener "■"

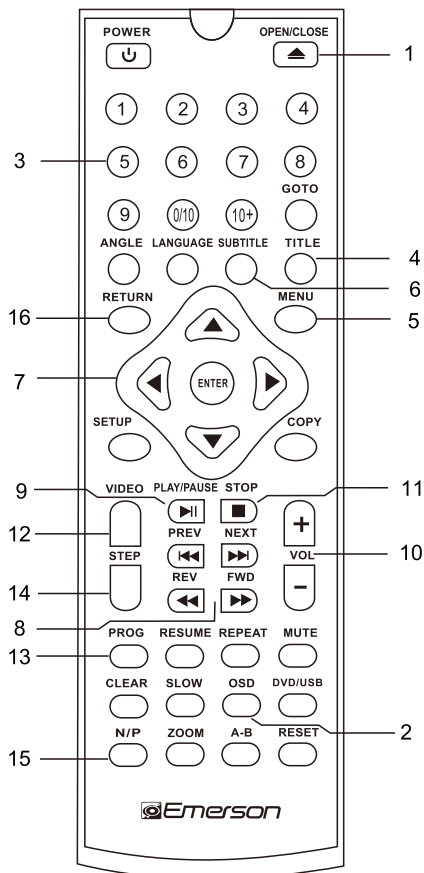
Presionar para detener la reproducción.

### 12. Botón de Video "VIDEO"

Presionar para cambiar el modo de salida de video.

### 13. Botón de Programa "PROG"

Presionar para programar la reproducción del disco en el orden deseado.



### 14. Botón de Pasos "STEP"

Presionar para reproducir hacia delante cuadro a cuadro

### 15. Botón de NTSC/PAL "N/P"

Presionar para seleccionar el sistema de la TV de NTSC / PAL / Automático

### 16. Botón de Regresar "RETURN"

Presionar para regresar a la pantalla anterior.

## DESCRIPCION DEL CONTROL REMOTO

### 17. Botón de Poder "POWER"

Presionar para encender el reproductor o para pasarlo al modo de espera.

### 18. Botón de Ir "GOTO"

Presionar para ir directamente a un tiempo específico / título / capítulo / pista en el DVD

### 19. Botones de Idioma "LANGUAGE"

Presionar para desplegar la información de audio o para cambiar de canal.

### 20. Botón de Ajustes "SETUP"

Presionar para entrar o salir del menú de ajustes.

### 21. Botón de Angulo "ANGLE"

Presionar para seleccionar entre los múltiples ángulos de cámara grabados en un disco DVD (si están disponibles)

### 22. Botón Anterior / Siguiente "◀▶"

Presionar para saltar a la pista, título o capítulo anterior o siguiente.

### 23. Botones de Silencio "MUTE"

Presionar para desactivar la salida de audio (silencio), presionar nuevamente para volver a activarla

### 24. Botón de Acercamiento "ZOOM"

Presionar para aumentar el tamaño de la imagen en la pantalla.

### 25. Botón de Repetir sección "A-B"

Presionar para repetir una sección A-B en el disco.

### 26. Botón de Extenso "CLEAR"

Presionar para borrar canciones programadas.

### 27. Botón de Repetir "REPEAT"

Presionar para seleccionar el modo de repetición deseado.

### 28. Botón de Lento "SLOW"

Presionar para seleccionar la velocidad de reproducción lenta.

### 29. Botón de DVD / USB

Presione este botón para cambiar entre DVD y usb.

### 30. Botón de recuperación

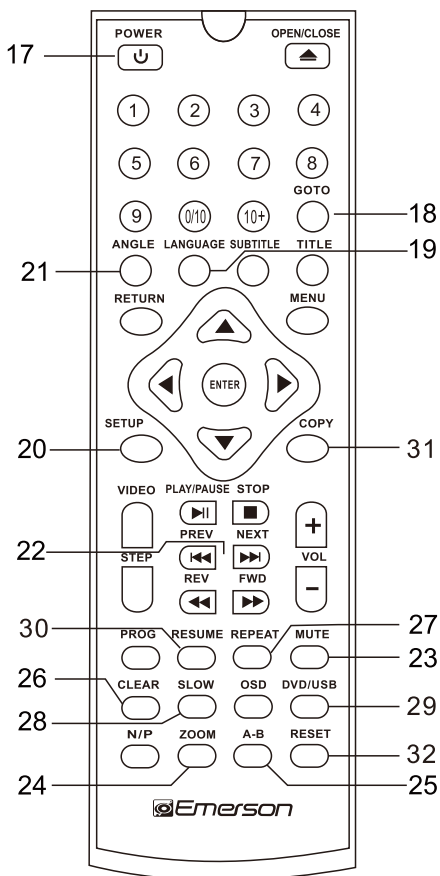
Presione la tecla resurme (restaurar) en el Estado de parada previa para volver al Estado de reproducción original.

### 31. Botón de copia

Presione el botón copy (copiar) para copiar la canción o video del disco al usb.

### 32. Botón de reinicio

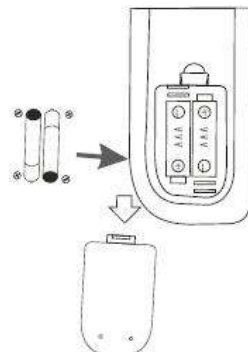
Presione el botón reset para restaurar la máquina a la configuración de fábrica.



## OPERACIÓN DEL CONTROL REMOTO

### INSTALACION DE LAS BATERIAS

1. Presionar y deslizar la tapa del compartimiento de las baterías del control remoto para removerla.
2. Insertar 2 baterías de 1.5 Vcc tamaño "AAA" (incluidas) verificando la correcta polaridad como se observa en el interior del compartimiento.
3. Colocar la tapa del compartimiento de las baterías nuevamente.



### PRECAUCIONES SOBRE LA BATERIAS

Seguir las siguientes precauciones al usar las baterías.

- El uso inadecuado o incorrecto de las baterías puede causar corrosión o fuga de ácido de las baterías, esto puede generar riesgo de fuego, lesiones personales o daños al control remoto.
- Usar solo baterías del tamaño y tipo especificadas en este manual.
- Verificar la correcta polaridad al colocar las baterías como se observa en el interior del compartimiento, la polaridad incorrecta puede causar daños al control remoto debido a la fuga de ácido de las baterías.
- No mezclar baterías de diferente tipo (por ejemplo, Alcalinas con Zinc-Carbón) o baterías nuevas con usadas.
- Si las baterías están agotadas o el control remoto no va ser usado por un periodo largo de tiempo, remover las baterías para evitar daños debido a la fuga de ácido de las baterías.
- No exponer o lanzar las baterías al fuego. Las baterías pueden explotar o derramar acido.
- No tirar las baterías en la basura doméstica. Desechar las baterías de forma adecuada de acuerdo con las leyes locales de desechos sólidos, para evitar daños al medio ambiente.

### MANEJO DEL CONTROL REMOTO

- Tener cuidado con las uñas al presionar y remover la lengüeta del compartimiento de las baterías.
- No lanzar, tirar o someter a impactos al control remoto.
- No derramar agua u otros líquidos sobre el control remoto.
- No colocar el control remoto sobre un objeto húmedo.
- No colocar el control remoto bajo los rayos directos del sol o cerca de fuentes radiadoras de calor.
- Remover las baterías del control remoto antes de almacenarlo por un periodo largo de tiempo. Esto reduce la posibilidad de corrosión o fuga de ácido de las baterías lo que puede resultar en lesiones personales y/o daños a las propiedades e incluso en riesgo de fuego.

### RANGO DE OPERACIÓN DEL CONTROL REMOTO

Dirigir directamente el control remoto al receptor infrarrojo del reproductor. La distancia máxima de operación del control remoto con respecto al receptor infrarrojo del reproductor es de 5 metros y el ángulo de operación es de 30° a la izquierda y derecha. La distancia de operación puede variar dependiendo de la brillantes del cuarto.



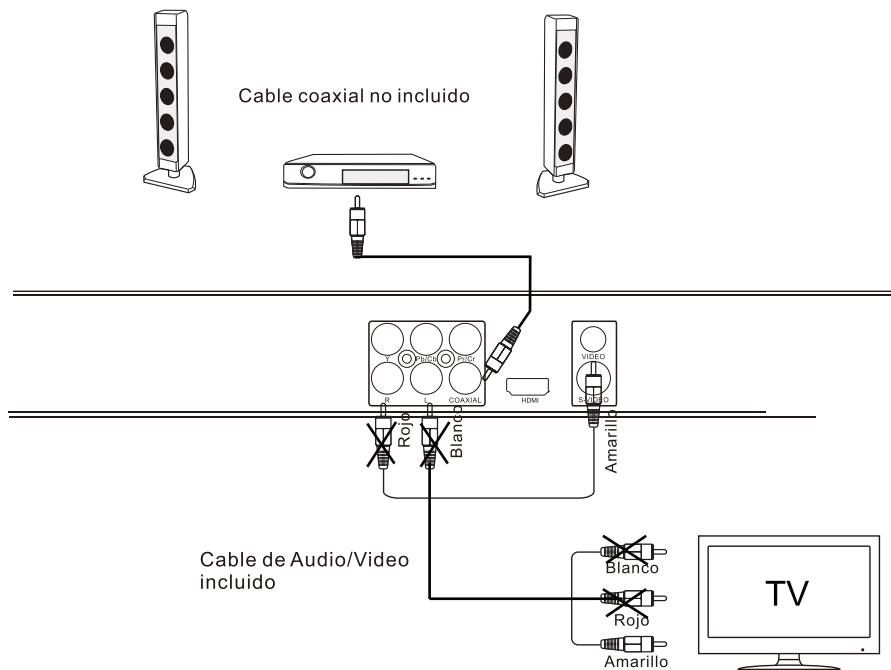


## CONEXIONES

Al conectar un dispositivo de Audio/Video externo o una TV, no conectar el cordón de alimentación del reproductor al tomacorriente hasta que todas las conexiones estén completadas.

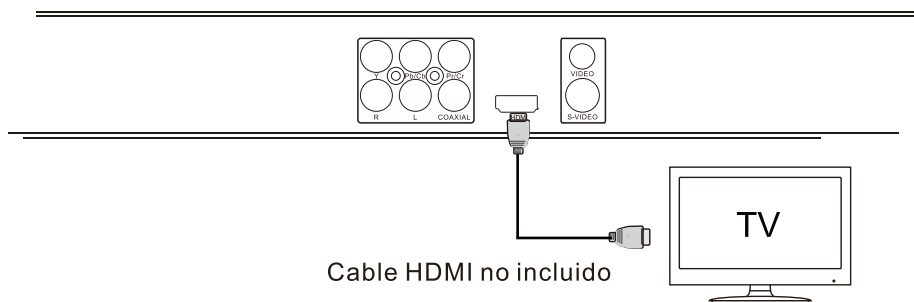
### METODO 1

#### Conectando a un sistema estéreo con un cable coaxial



### METODO 2

#### Conectando a una TV con un cable HDMI

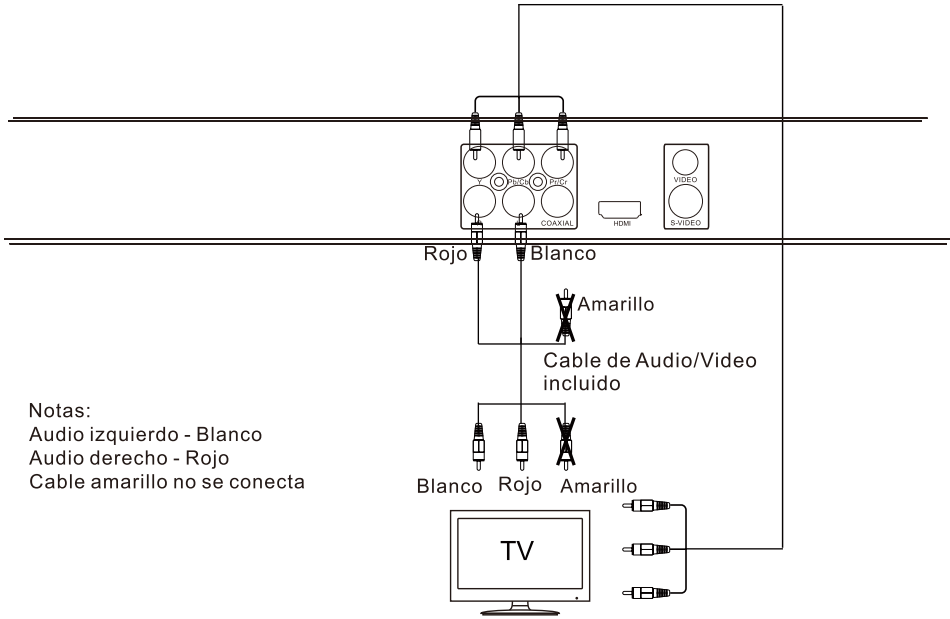


## CONEXIONES

### METODO 3

#### Conectando a una TV con un cable de componentes

Cable de Video de componentes(Y,Pb/Cb,Pr/Cr)(no incluido)



Notas:

Audio izquierdo - Blanco

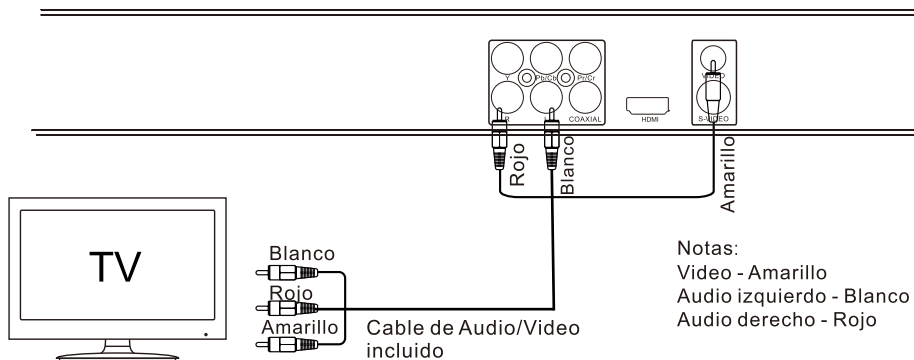
Audio derecho - Rojo

Cable amarillo no se conecta

## CONEXIONES

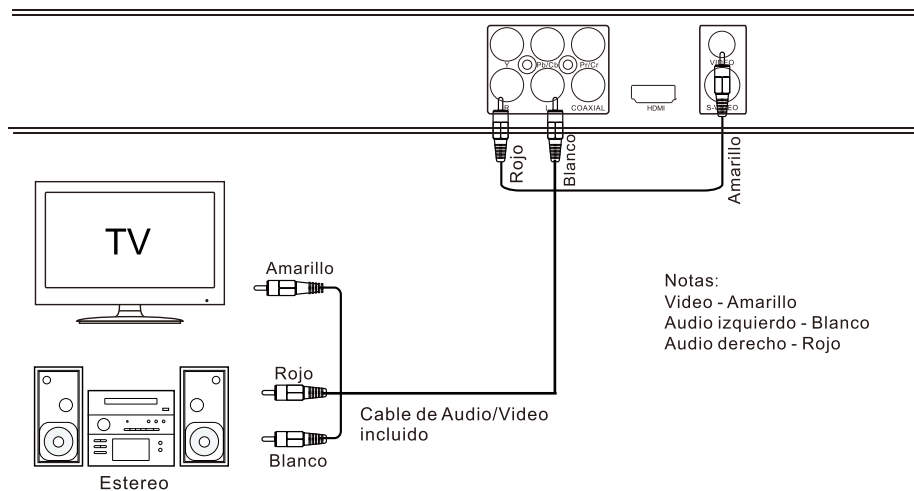
### METODO 4

Conectando a una TV con un cable de Audio / Video



### METODO 5

Conectando a un sistema estéreo y una TV con un cable de Audio / Video



## REPRODUCCIÓN DE UN DISCO DVD

**A menos que se especifique otra cosa, todas las operaciones descritas están basadas en el uso del control remoto.**

1. Conectar el cordón de alimentación del reproductor al tomacorriente.
2. Conectar el reproductor de DVD a la televisión como se explicó anteriormente. Encender la TV y ajustar el modo de entrada para el reproductor de DVD conectado.
3. Presionar "⏻" para encender el reproductor.
4. Presionar "▲" para abrir la bandeja de disco. Colocar un disco sobre la espiga central con el lado rotulado o etiqueta hacia arriba. Presionar "▲" nuevamente para introducir la bandeja del disco e inicia la reproducción del disco DVD automáticamente.
5. Presionar "■" para detener la reproducción. El reproductor memoriza el punto donde se detuvo. Presionar "▶ ||" para iniciar la reproducción desde ese punto. Para detener la reproducción completamente o reproducir desde el punto inicial, presionar "■" dos veces.
6. Para apagar el reproductor, presionar "⏻" en el reproductor o control remoto.

**NOTA:** Si el reproductor no va ser usado por un periodo largo de tiempo, desconectar el cordón de alimentación del tomacorriente, así mismo retirar las baterías del control remoto.

### BUSQUEDA A VELOCIDAD RAPIDA

Durante la reproducción, presionar "◀" o "▶" para regresar o avanzar la reproducción a velocidad rápida (x2). Continuar presionando los botones y la velocidad se incrementa a x4, x8, x16, x32 y velocidad normal. Durante la reproducción a velocidad rápida, presionar "▶ ||" para volver a la velocidad normal.

**Nota:** esta función no está disponible para todos los discos.

### SALTAR/BUSCAR

Durante la reproducción, presionar "◀◀" o "▶▶" para saltar al anterior o siguiente capítulo, título o pista.

### IDIOMA

Presionar "LANGUAGE" repetidamente para seleccionar el idioma / canal de sonido disponible.

**Nota:** esta función no está disponible para todos los discos.

### SUBTITULO

Presionar "SUBTITLE" repetidamente para seleccionar el idioma del subtítulo o desactivar el subtítulo del menú.

**Nota:** esta función no está disponible para todos los discos.

### MENÚ DE DVD

Presionar "MENÚ", el menú del disco DVD actual se despliega en la pantalla. Presionar "◀ ▶ ▲ ▼" para seleccionar la opción deseada, entonces presionar "ENTER" para confirmar la selección.

**Nota:** esta función no está disponible para todos los discos.

### TITULO

Presionar "TITLE", el título del disco DVD actual se despliega en la pantalla. Presionar "◀ ▶ ▲ ▼" para seleccionar la opción deseada, entonces presionar "ENTER" para confirmar la selección.

**Nota:** esta función no está disponible para todos los discos.

## OPERACIÓN

### DESPLIEGUE EN PANTALLA

Durante la reproducción, presionar "OSD" repetidamente para desplegar la información del estado de reproducción.

### ACERCAMIENTO

Durante la reproducción de una película, presionar "ZOOM" repetidamente para tener un acercamiento de la imagen en 2x, 3x, 4x, 172, 173, 174. Presionar "◀ ▶ ▲ ▼" para desplazarse y seleccionar una parte de la imagen en acercamiento.

**Nota:** esta función no está disponible para todos los discos.

Presionar "ZOOM" repetidamente hasta regresar a la pantalla normal.

### ANGULO

Para discos DVD con escenas grabadas con múltiples ángulos de cámara, presionar "ANGLE" repetidamente para seleccionar el ángulo de cámara deseado.

**Nota:** esta función no está disponible para todos los discos.

### SILENCIO

Presionar "MUTE" para desactivar la salida de audio (silencio), presionar "MUTE" nuevamente para volver a activar la salida de audio.

### VIDEO

Presionar "VIDEO" repetidamente para ajustar los modos de salida de video.

### PASOS

Durante la reproducción, presionar "STEP" y la imagen en la pantalla se detiene. Presionar "STEP" nuevamente y el disco se reproduce cuadro a cuadro (pasos). Presionar "▶ II" para salir de la función y volver al modo de reproducción normal.

**Nota:** esta función no está disponible para todos los discos.

### REPRODUCCION A VELOCIDAD LENTA

Durante la reproducción, presionar "SLOW" para ajustar la velocidad de reproducción lenta de x1/2, x1/4, x1/8, x1/16, x1/32 y velocidad normal.

Durante la reproducción a velocidad lenta, presionar "▶ II" para volver al modo de reproducción normal.

### N/P

Presionar "N/P" para seleccionar la señal de salida de video entre NTSC, PAL o AUTOMATICO de acuerdo al sistema de color de la TV. El sistema de color para México, Estados Unidos y Canadá es NTSC.

### REPETIR

Durante la reproducción, presionar "REPEAT" para seleccionar repetir capítulo, título o todo.

### REPETIR UNA SECCION A-B

Presionar "A-B" para repetir una sección entre dos puntos A y B en un título, capítulo o pista.

### EXTENSO

Durante la reproducción de una película, presionar "WIDE" para cambiar el rango de aspecto de 4:3PS, 4:3LB o 16:9.

### IR

Durante la reproducción, presionar "GOTO" para desplegar la selección de tiempo, título o capítulo en el disco. Usando los botones numéricos ingresar el tiempo, título o capítulo deseado, entonces presionar "ENTER" para iniciar la reproducción.

## PROGRAMACION

### PROGRAMACIÓN DE UN DISCO VERSATIL DIGITAL "DVD"

1. Durante la reproducción de un disco DVD, presionar "PROG" y la pantalla despliega la pantalla del menú de programación:

T	C	T	C	T	C	T	C
1	--:--	5	--:--	9	--:--	13	--:--
2	--:--	6	--:--	10	--:--	14	--:--
3	--:--	7	--:--	11	--:--	15	--:--
4	--:--	8	--:--	12	--:--	16	--:--
						PLAY	CLEAR

2. Presionar "◀ ▶ ▲ ▼" y los botones numéricos para seleccionar y ajustar los títulos (TT) o capítulos (CH) deseados. Si el número ingresado es incorrecto o desea modificarlo, seleccionar "CLEAR" en la parte inferior de la pantalla y presionar "ENTER" en el control remoto para borrar el número e ingresar uno nuevo.
3. Presionar "◀ ▶ ▲ ▼" para resaltar y seleccionar "START" en la parte inferior en la pantalla, entonces presionar "ENTER" en el control remoto para iniciar la reproducción del programa.
4. Presionar "■" dos veces para salir de la reproducción del programa.

### PROGRAMACIÓN DE UN DISCO COMPACTO "CD"

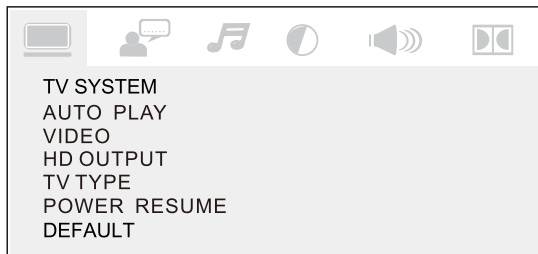
1. Durante la reproducción de un disco CD, presionar "PROG" y la pantalla despliega la pantalla del menú de programación:

1	----	5	----	9	----	13	----
2	----	6	----	10	----	14	----
3	----	7	----	11	----	15	----
4	----	8	----	12	----	16	----
						PLAY	CLEAR

2. Presionar "◀ ▶ ▲ ▼" y los botones numéricos para seleccionar y ajustar las pistas deseadas (para un disco compacto). Si el número ingresado es incorrecto o desea modificarlo, seleccionar "CLEAR" en la parte inferior de la pantalla y presionar "ENTER" en el control remoto para borrar el número e ingresar uno nuevo.
3. Presionar "◀ ▶ ▲ ▼" para seleccionar "START" en la parte inferior en la pantalla, entonces presionar "ENTER" en el control remoto para iniciar la reproducción del programa.
4. Presionar "■" dos veces para salir de la reproducción del programa.

## AJUSTES DEL SISTEMA

Presionar "SETUP" para desplegar el menú de ajustes como se observa abajo. Presionar "◀ ▶ ▲ ▼" para seleccionar y resaltar la opción a ajustar o restablecer. Presionar "ENTER" para entrar o confirmar la selección. Después de ajustar, presionar "▲" para guardar el ajuste y salir.



### PÁGINA DE AJUSTES DEL SISTEMA "SYSTEM SETUP PAGE"

1. Al seleccionar Sistema de Televisión "TV SYSTEM", presionar "◀ ▶ ▲ ▼" y "ENTER" para ajustar el formato de la señal de salida de PAL, NTSC o AUTOMATICO conforme al sistema de color de la TV conectada.  
(Nota: Ajustar a Auto o NTSC para EUA, Canadá y México).
2. Cuando se establece en auto play on, después de leer el disco, el disco no permanecerá en el menú. Entra automáticamente en el Estado de reproducción de la pista. Cuando se establece en auto play off (reproducción automática apagada), después de leer el disco permanecerá en el menú y solo se podrá reproducir manualmente. Seleccione la trayectoria.
3. Siga las instrucciones de operación en seleccionar la opción "configuración del sistema" (seleccione la opción "configuración del sistema"). Debe configurar go Watch en función del puerto al que se conecte desde la salida Televisión.
4. Si quieres elegir la salida de alta definición, puedes elegir el modo de salida de vídeo, aparecerá entre las opciones: 480p / 576p, 720p, 1080i, 1080p.
5. Al seleccionar Tipo de TV "TV TYPE", presionar "◀ ▶ ▲ ▼" y "ENTER" para ajustar PAL, AUTO o NTSC para que coincida con el sistema de color de la TV conectada. (Nota: El sistema de color predeterminado para Estados Unidos de Norteamérica, Canadá y México es NTSC).
6. Al configurar el poder resume en, se reinicia después de desconectar la fuente de alimentación, y la máquina volverá automáticamente al Estado anterior al Corte de energía. Al configurar Power resume off, se reinicia después de desconectar la fuente de alimentación, y la máquina no tiene función de memoria.
7. Al seleccionar Predeterminado "DEFAULT", presionar "◀ ▶ ▲ ▼" y "ENTER" para restablecer todos los ajustes predeterminados de fábrica y borrar los ajustes realizados.

### PAGINA DE AJUSTES DE IDIOMA "LANGUAGE SETUP PAGE"

Si Despliegue en pantalla, Audio, Subtítulo o Menú son seleccionados, presionar "◀ ▶ ▲ ▼" y "ENTER" para ajustar a la prioridad deseada. (la función depende de la grabación del disco DVD).

## AJUSTES DEL SISTEMA

### PÁGINA DE AJUSTES DE VIDEO "VIDEO SETUP PAGE"

1. Al seleccionar Video "VIDEO", presionar "◀ ▶ ▲ ▼" y "ENTER" para ajustar a VIDEO, P-SCAN o YUV para que concuerde con la conexión de la TV.
  - Ajustar a VIDEO si el reproductor es conectado a la TV a través de los conectores de salida de Audio (Izquierdo y Derecho) y de Video.
  - Ajustar a P-SACAN si el reproductor es conectado a la TV a través de los conectores de salida Y/Pb/Pr
  - Ajustar a YUV si el reproductor es conectado a la TV a través de los conectores de salida Y/Cb/Cr
2. Al seleccionar "RESOLUTION", presionar "◀ ▶ ▲ ▼" y "ENTER" para seleccionar el ajuste de resolución para que concuerde el rendimiento de la TV

### PÁGINA DE AJUSTES DE AUDIO "AUDIO SETUP PAGE"

1. Al seleccionar mezcla de bajos "DOWNMIX", presionar "◀ ▶ ▲ ▼" y "ENTER" para seleccionar LT/RT, Estéreo como la conexión de salida de audio.
  - Ajustar a LT/RT si el reproductor es conectado a la TV a través de los conectores de audio de 2.1 y los canales izquierdo y derecho se reproducen a través de las bocinas izquierda y derecha.
  - Ajustar a ESTÉREO si el reproductor es conectado a la TV a través de los conectores de audio de 2.1.
2. Al seleccionar AUDIO OUTPUT, presionar "◀ ▶ ▲ ▼" y "ENTER" para ajustar a SPDIF/OFF, SPDIF/RAW, SPDIF/PCM para que concuerde con el sistema de decodificación del amplificador de audio externo (con decodificador digital) a través de los conectores de salida de Audio Digital Coaxial

### PÁGINA DE AJUSTES DIGITAL "DIGITAL SETUP PAGE"

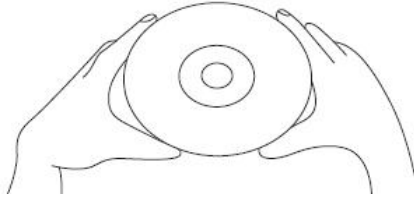
1. Al seleccionar DYNAMIC, presionar "◀ ▶ ▲ ▼" y "ENTER" para activar y ajustar al nivel dinámico deseado o para desactivar la función.
2. Al seleccionar DUAL MONO", presionar "◀ ▶ ▲ ▼" y "ENTER" para ajustar a Estéreo, Monoaural izquierdo (se reproduce el canal izquierdo en todas las bocinas), Monoaural derecho (se reproduce el canal derecho en todas las bocinas) o Mezcla Monoaural (las mezcla de los canales izquierdo y derecho se reproducen en todas las bocinas) como desee. (La función depende de la grabación en el disco)



## CUIDADO Y MANTENIMIENTO

### CUIDADO DE LOS DISCOS

- Manejar los discos cuidadosamente, sujetar los discos solo por los bordes.
- No permitir que los dedos entren en contacto con la superficie brillante y no rotulada del disco.



- No pegar cintas o etiquetas adheribles sobre los discos.
- La suciedad, ralladuras y huellas digitales pueden causar saltos y distorsión durante la reproducción.
- Limpiar los discos regularmente con una tela suave, limpia, seca y libre de pelusa. No usar detergentes o limpiadores abrasivos para limpiar los discos, esto puede dañar las superficies de los mismos. En caso de ser necesario, usar un juego para limpieza de discos compactos.
- Limpiar los discos con movimientos rectos del centro hacia el borde, nunca hacerlo con movimientos circulares.



- Asegurarse de almacenar los discos en su estuche cuando no están en uso, para evitar que se dañen.
- No exponer los discos a los rayos directos del sol, altas temperaturas, humedad o polvo, etc. La exposición prolongada o las temperaturas extremas pueden deformar los discos.
- No escribir sobre los discos compactos con plumones u otros utensilios de escritura. La punta de los instrumentos de escritura o la tinta pueden dañar las superficies.

### LIMPIEZA DEL REPRODUCTOR

- Para prevenir riesgo de fuego o choque eléctrico, desconectar el adaptador ca/cc del reproductor y del tomacorriente.
- El acabado del reproductor debe limpiarse con una tela, limpia y seca para polvo como cualquier otro mueble. Tener cuidado al limpiar las partes de plástico.
- Una tela suave, limpia y humedecida con una solución de agua y jabón suave debe ser usada para limpiar el panel frontal del reproductor.

## GUÍA RÁPIDA PARA SOLUCIÓN DE PROBLEMAS

Verificar la siguiente guía para la solución de problemas en caso de fallas en el reproductor, antes de llevarlo al centro de servicio. Alguna verificación simple o pequeños ajustes de su parte pueden eliminar el problema y restablecer la adecuada operación. Para darle servicio al reproductor referirse al centro de servicio autorizado.

PROBLEMA	POSIBLE CAUSA	POSIBLE SOLUCION
No enciende	El cordón de alimentación esta desconectado	Conectar el cordón de alimentación al tomacorriente.
Enciende, pero no opera adecuadamente	Se ha formado condensación	Desconectar el reproductor del adaptador ca/cc y esperar 1 o 2 horas para que la condensación se evapore
	Formato del disco incorrecto o está dañado	Reemplazar el disco
	Disco sucio o insertado incorrectamente	Limpiar el disco o insertarlo correctamente
No hay imagen y/o sonido	Los cables no están conectados correctamente	Conectar los cables correctamente
	La salida de video del reproductor está ajustada incorrectamente	Ajustar correctamente la salida de video
	La TV conectada al reproductor está apagada	Encender la TV
La imagen en la pantalla se desplaza	El sistema de salida del reproductor está ajustado incorrectamente	Presionar N/P para ajustar correctamente el sistema de salida
La imagen tiene mala calidad	Disco sucio	Reemplazar el disco
El control remoto no opera	Las baterías están agotadas o débiles	Reemplazar las baterías
	Las baterías no están insertadas adecuadamente	Instalar las baterías con la polaridad adecuada como se indica en el interior del compartimiento
	El control remoto no es dirigido directamente al sensor remoto	Alinear directamente el control remoto al sensor remoto
	La distancia de operación es lejana	Operar a una distancia de 5 m máximo
	Hay obstáculos entre el control remoto y sensor remoto	Eliminar los obstáculos
No inicia la reproducción	El rango de nivel ajustado bloquea la reproducción	Ajustar el rango de nivel para la reproducción de contenidos
	No hay disco insertado o insertado incorrectamente	Insertar un disco correctamente
	Formato de disco incorrecto	Reemplazar el disco
	Disco insertado incorrectamente en la bandeja	Insertar el disco correctamente
	Disco sucio o dañado	Reemplazar el disco
Algunas funciones no operan	Algunas características y funciones no están disponibles en todos los discos	Las funciones no están disponibles en todos los discos. Intentar con otro disco
El idioma seleccionado no se despliega en la pantalla o no se escucha	El idioma seleccionado como sonido o subtítulo no está disponible en el disco actual	Las funciones no están disponibles en todos los discos. Intentar con otro disco
Los subtítulos no operan adecuadamente	Algunas características y funciones no están disponibles en todos los discos.	Las funciones no están disponibles en todos los discos. Intentar con otro disco
	La función de subtítulo esta desactivada	Activar la función de subtítulo.
El ángulo de cámara no puede cambiarse	El disco no cuenta con escenas grabadas con múltiples ángulos de cámara o están grabadas en ciertas secciones del disco	Intentar con otro disco. Los ángulos de cámara no están en todo el disco, esperar que el indicador de múltiples ángulos de cámara se despliegue en la pantalla, entonces presionar "ANGLE" para cambiar el ángulo de cámara.

# ESPECIFICACIONES

## ESPECIFICACIONES

Fuente de alimentación:	110 – 240 Vca 50/60 Hz
Potencia de entrada:	10 W
Sistema de color:	NTSC / PAL
Temperatura de operación:	+5 °C a +35 °C
Humedad relativa:	5 % a 90 % (no condensación).

## DISCOS REPRODUCIBLES

### Disco de video DVD

- Disco de 12 cm de una cara, una capa
- Disco de 12 cm de una cara, dos capas
- Disco de 12 cm de dos caras, una capa
- Disco de 8 cm de una cara, una capa
- Disco de 8 cm de una cara, dos capas
- Disco de 8 cm de dos caras, una capa

### Discos de audio CD (Video CD)

- Disco de 12 cm
- Disco de 8 cm

Nivel de salida de Video: 1 Vpp

Nivel de salida de Audio: 1.8 +/- 0.2 Vrms (1 kHz 0 dB)

## CARACTERÍSTICAS DE LA SEÑAL DE SALIDA DE AUDIO

Respuesta de frecuencia:

DVD (Audio lineal):	20 Hz – 20 kHz (muestreo 48 kHz / 96k Hz)
Audio CD	20 Hz – 20 kHz
Rango de señal a ruido "S/N":	70 dB

## CAPTADOR ÓPTICO

Longitud de onda:	655 nm
Potencia del láser:	Clase 1

**Las especificaciones y el diseño de este producto están sujetos a cambios sin previo aviso para mejoras de los mismos.**

## SOPORTE

Si tiene problemas con la operación del reproductor, favor de consultar las instrucciones en este manual, así como las últimas noticias, recomendaciones y documentación que puede encontrar en nuestra página web

[www.emersonaudio.com](http://www.emersonaudio.com)

Si necesita asistencia futura, favor de contactar al centro de servicio autorizado.

Soporte Técnico EMERSON

2320 East 49th ST

Vernon, CA 90058

Tel: 323 583-8883

Correo Electrónico: [support@emersonaudio.com](mailto:support@emersonaudio.com)

Hecho en China