

 **Emerson**™

PORTABLE CD/CASSETTE
PLAYER

EPB-3003



USER MANUAL

Please read carefully before use and keep for future reference.

SAFETY INSTRUCTIONS

1. Read these instructions – All the safety and operating instructions should be read before this product is operated.
2. Keep these instructions. The safety and operating instructions should be retained for future reference.
3. Heed all warnings. All warnings on the appliance and in the operating instructions should be adhered to.
4. Do not use this apparatus near water. The device should not be used near water or moisture – for example, in a wet basement or near a swimming pool, and the like.
5. Clean only with a dry cloth.
6. Do not block any ventilation openings.
7. Do not operate or place near any heat sources such as radiators, heat registers, stoves, or other apparatus (including amplifiers) that produce heat.
8. Protect the power cord from being walked on or pinched particularly at the plugs, power outlets, and at the point where they exit from the apparatus.
9. Only use attachments/accessories specified by the manufacturer.
10. Unplug the apparatus during lightning storms or when unused for long periods of time.
11. Refer all servicing to qualified personnel. Servicing is required when the apparatus has been damaged in any way, such as a damaged power supply cord or plug.
12. **WARNING:** To reduce the risk of fire or electric shock, do not expose this device to any moisture, including rain or high humidity. Do not place any vases, or any liquid containers on the speaker.
13. Only use the device in moderate climates.
14. The ventilation should not be impeded by covering the ventilation openings with items, such as newspapers, tablecloths, curtains, etc.
15. Do not place open flame sources, such as lighted candles, on the apparatus.
16. **CAUTION:** These servicing instructions are for use by qualified service personnel only.
17. To reduce the risk of electric shock do not perform any servicing other than that contained in the operating instructions unless you are qualified to do so.
18. **CAUTION: TO REDUCE THE RISK OF ELECTRIC SHOCK, DO NOT REMOVE THE DEVICE HOUSING. DO NOT OPEN THE UNIT. SERVICING SHALL ONLY BE DONE BY QUALIFIED SERVICE PERSONNEL.**
19. **DANGER:** This Compact Disc player is classified as a Class 1 LASER PRODUCT. The CLASS 1 LASER PRODUCT label is located on the rear exterior.
20. **NOTE:** The manufacturer is not responsible for any radio or TV interference caused by unauthorized modifications.

21. Store your CD or other devices in a cool area to avoid damage from heat.

22. Battery Warnings:

- Remove batteries if exhausted or if they will not be used for a long period.
- The incorrect use of batteries can cause electrolyte leakage and will corrode the compartment or cause the batteries to burst.
- Do not mix battery types, e.g. Alkaline with zinc carbonate.
- When inserting new batteries, replace all batteries at the same time.

PACKAGE CONTENTS

Portable CD/Cassette Player..... 1 piece

Power Adapter 1 Piece

User Manual 1 Piece

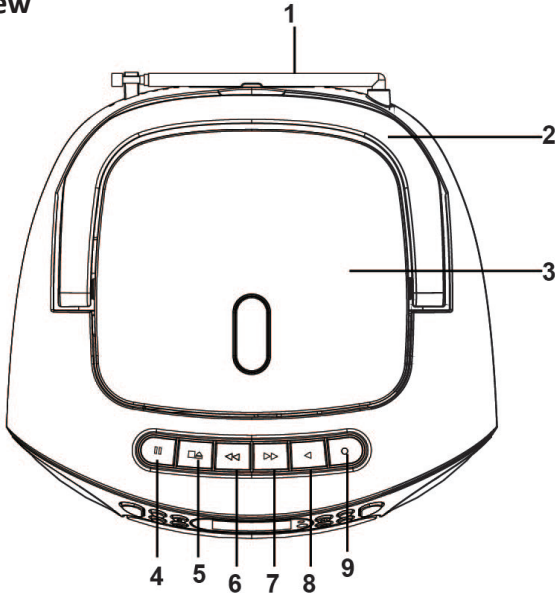
DEVICE SPECIFICATIONS

Power Source	DC IN 9V 1.2A DC 9V 1.5V UM-2/C x 6 Pieces
Power Consumption	10 Watts
Audio Output of the Soundbar	1.5W x 2 Total 3W RMS
Auxiliary Input Port	3.5 mm
Headphone Input Port	3.5 mm
Frequency Range	FM: 87.5 - 108 MHz AM: 520 - 1710 kHz
Unit Dimensions (Approximate)	Length: 9" Width: 8.5" Height: 4.5"
Operating Temperature	41° - 95° F

NOTE: SPECIFICATIONS AND ACCESSORIES ARE SUBJECT TO CHANGE WITHOUT NOTICE

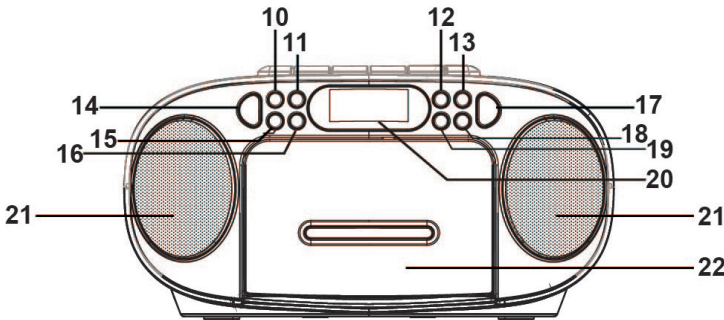
DEVICE FEATURES

Top View



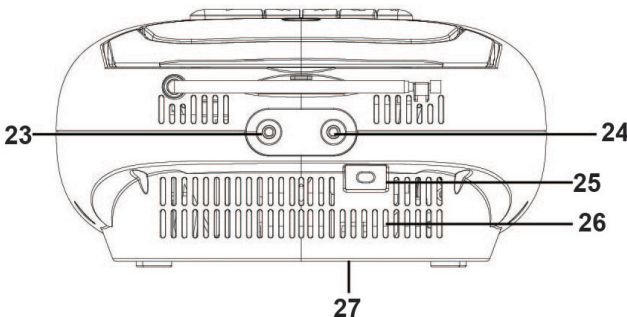
1. FM ANTENNA
2. HANDLE
3. CD DOOR
4. CASSETTE PAUSE KEY
5. CASSETTE STOP/EJECT KEY
6. CASSETTE FAST FORWARD KEY
7. CASSETTE REWIND KEY
8. CASSETTE PLAY KEY
9. CASSETTE RECORD KEY

Front View



10. ►II/SCAN BUTTON
11. STOP BUTTON
12. TUN + BUTTON
13. VOLUME + BUTTON
14. ⏻/FUNCTION BUTTON
15. ⏮/MEM - BUTTON
16. ⏭/MEM + BUTTON
17. PROG./M./P-MODE BUTTON
18. VOLUME - BUTTON
19. TUN - BUTTON
20. LCD DISPLAY
21. SPEAKERS
22. CASSETTE COMPARTMENT

Rear View



23. AUXILIARY INPUT PORT
24. HEADPHONE INPUT PORT
25. DC POWER ADAPTER INPUT PORT
26. VENTILATION HOLES
27. BATTERY COMPARTMENT

CONNECTING POWER

AC POWER

- Connect the AC/DC adapter to the unit and into an AC wall outlet.

NOTE: Connecting to AC power automatically disengages the battery power source.

BATTERY POWER



1. Open the door to the battery compartment.
2. Install a quantity of six (6) UM-2/C size batteries (not included) into the compartment. Make sure to install the batteries according to the indicated positive and negative markings.

CAUTIONS:

- Remove batteries if they are empty or not being used for long periods.
- Batteries contain chemical substances. Dispose of empty batteries per local laws and requirements.

OPERATING THE DEVICE

General Operation

- To turn ON the device, press the  / *FUNCTION* button.
- To turn OFF the device, press and hold the  / *FUNCTION* button.
- To adjust the volume, press the Volume + / Volume - buttons.

OPERATING MODES

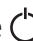
USING HEADPHONES

- For private listening, connect a 3.5mm headphone (not included) to the Headphone Input Port. Note: the speaker will be automatically disabled.
- CAUTION: Listening at high volumes can cause hearing loss.

USING THE CASSETTE PLAYER

- RECORD - Press to record from the radio or CD/USB player.
- PLAY - Press to play cassettes.
- REWIND - From stop mode, press to rewind the tape toward the beginning.
- F.FWD - From stop mode, press to advance the tape toward the end.
- STOP/EJ. - Press to stop the tape. Press to open the cassette compartment when no buttons are activated.
- PAUSE - Press to interrupt the tape play or record mode. Press two times to resume tape play or tape record mode.

PLAYING A CASSETTE TAPE

1. Press the  / *FUNCTION* button on the unit to select TAPE mode.
2. Press STOP/EJ. Key to open the cassette compartment door.
3. Insert a cassette tape into the compartment with the open edge facing up and the full reel on the right.
4. Close the door securely.
5. Press REWIND or F.FWD to move the tape to the desired starting point.
6. Press the PLAY button to begin playing the tape.
7. Adjust the volume to your desired listening level.

AUTOMATIC STOP FEATURE

When the cassette deck is operating in play or record mode and the end of the tape is reached, the unit automatically shuts itself off and returns all buttons to the off position.

RECORDING AUDIO FROM THE RADIO

1. Load a blank tape into the tape compartment and close the door.
2. Select the FM function mode. Use the Tuning buttons to locate a station.

3. Press RECORD key to begin recording. RECORD key and PLAY key go down simultaneously.

4. Press STOP/EJ. Key to end recording.

5. To hear what you recorded, follow instructions in PLAYING A CASSETTE TAPE.

NOTE: PAUSE FOR A MOMENT - Using the PAUSE key on the cassette deck instead of the STOP/EJ. Key to momentarily interrupt recording gives you a much clear recording. Press PAUSE key again to resume recording.

RECORDING AUDIO FROM CDs

1. Insert a blank cassette tape into the tape compartment.

2. Select the CD function mode.

3. Load a CD and select the desired track you want to record.

4. Press PLAY/PAUSE button to start playback. Press RECORD key to begin recording. The RECORD button and PLAY button go down simultaneously.

5. Press the PAUSE button to interrupt or edit a recording. Press it again to resume the recording.

6. Press the STOP/EJ button to end the recording.

RECORDABLE CASSETTE TYPES

Use only good quality cassettes (IEC TYPE 1) for making recordings. The device may be used to replay other types of cassettes, but it is unable to properly record on other types of cassettes.

PROTECTING THE RECORDING

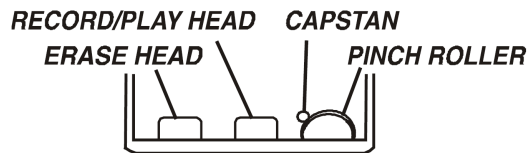
Normally, anything recorded on the tape is automatically erased when a new recording is made. It is possible to protect your recording from accidental erasure by removing the tabs found on the rear of the cassette.

- When the cassette is held with the recorded side upper-most and the exposed tape facing the front, the protective tab will be found on the left rear of the cassette.
- All pre-recorded cassettes are protected in this way to prevent accidental erasure of the commercial recording. "Protected" cassettes will prevent the record button from being operated.

- If you attempt to record and find that this button will not be depressed, never force the mechanism or it may be damaged. Check that a cassette has been loaded and that the tab has not been removed. Recording on a cassette from which the tabs have been removed can be done by covering the tab openings with a piece of adhesive tape.

CARE OF THE CASSETTE MECHANISM

Gently clean the tape head and pinch wheel/capstan assemblies after every 10 hours of using the unit. A range of cassette care products are available.




- The erase head, record/play head, and the surface of the pinch roller are delicate and must not be touched with metal objects, such as screwdrivers.
- You may find it easier to clean the assembly by pressing the PLAY button to move the bright head and pinch roller into view.
- Be sure to press the STOP button after cleaning the mechanism.
- Damage to the pinch roller can occur if the unit is left in PLAY mode with the power switch off.
- Under no circumstances should you attempt to lubricate any part of the machine.

CD OPERATION

CD TYPES

This device can only play digital audio CDs, finalized digital audio CD-Recordable (CD-R) discs, finalized digital audio CD-Rewritable (CD-RW) discs, and CD-DA format digital audio CD/CD-R/CD-RW discs.

LOADING A DISC

1. Select CD Mode by pressing the  / *FUNCTION* button.
2. Press the OPEN/CLOSE button to open the CD door, "OP" will be shown on the display
3. Place an audio CD DISC into the tray with the front side facing up.
4. Close the CD door.
5. To remove the CD, press the STOP button to stop playback, press OPEN/CLOSE button to open CD door, the display will show "OP". Hold the CD by its edges, and carefully take it out.

NOTES:

- Make sure the disc is stopped before opening the CD DOOR.
- To ensure good system performance; wait until the unit completely reads the disc before proceeding.
- If no disc loaded into the tray, or the disc is unreadable, the display will show "NO".

PLAYING A DISC

1. To start playback, press the ▶II/SCAN button.
 - To interrupt playback, press the ▶II/SCAN button.
 - To resume playback, press the ▶II/SCAN button again.
2. To stop playback, press the STOP button.
3. To select a desired track, press the ◀◀/MEM- or /▶▶MEM+ buttons to select the next or previous tracks.
4. To fast forward or reverse the track, press and hold the ◀◀/MEM- or /▶▶MEM+ buttons. Release to play at the desired time.

PROGRAM TRACKS

Programming tracks of disc are possible when playback is stopped. Up to CD 20 tracks can be stored in the memory in any order.

1. In stop mode, press the **PROG./M./P-MODE** button. The P01 will be on and "PROG" will flash on the display.
2. Press the ◀◀/MEM- or /▶▶MEM+ buttons to select the first desired track to be programmed. Press the **PROG./M./P-MODE** button to enter. The display changes to show P02.
3. Repeat steps 1 & 2 to store other desired tracks until all tracks are programmed.
4. Press the ▶II/SCAN button to start playback from the first programmed track.
5. Press the STOP button to stop program playback. To clear the program, you may press the STOP button when the disc stopped and open the CD compartment lid, program will be erased.

REPEAT PLAY

To Repeat a Single Track

1. When in play mode, press the **PROG./M./P-MODE** button. 'REP' will flash on the display. The current track will be played repeatedly until you press the STOP button.
2. To cancel repeat play, press the **PROG./M./P-MODE** button until 'REP' stops flashing on the display.

To Repeat All the Tracks

1. When in play mode, press the **PROG./M./P-MODE** button twice. 'REP' will be displayed. The tracks will be played repeatedly until you press the STOP button.
2. To cancel repeat play, press the **PROG./M./P-MODE** button until 'REP' is no longer displayed.

RANDOM PLAY

1. When in play mode, press the **PROG./M./P-MODE** button until "RDM" is displayed. Random play will start automatically, and will continue to play random tracks until all tracks are played. You can press the ►► button to change tracks.
2. To cancel random play, press the **PROG./M./P-MODE** button until "RDM" is no longer displayed.

COMPACT DISC MAINTENANCE

1. Only use compact discs that bear the following marking:



2. Handling Discs

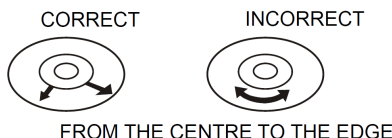
- Removing the disc from its storage case and loading it.
- Do not touch the reflective recorded surface.
- Do not stick paper or write anything on the surface.
- Do not bend the disc.
- NOTE: Make sure the CD lid is closed to prevent dust from contaminating the lens.

3. Storage




- Store the disc in its case.
- DO not expose discs to direct sunlight or high temperatures, high humidity, or dusty places.

4. Cleaning Discs


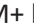

- If the disc becomes soiled, wipe off the dust, dirt, and fingerprints with a soft cloth.
- Never use benzene, thinners, record cleaner fluid, or anti-static spray.
- Do not touch the lens.
- Clean the disc from the center to the edge.



RADIO OPERATION


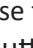
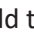

1. Press the  / FUNCTION button on the unit to select the FM or AM function.
2. Tune to desired station by pressing the TUN.+ or TUN.- button on the unit, the display will show the band frequency. Example: FM 97.10 MHz, or AM 520 KHz.
3. Press and hold the TUN.+ or TUN.- BUTTON, the unit will scan the frequencies until a broadcasting station strong enough for good reception is found.
4. For FM mode, extend FM TELESCOPIC ANTENNA to its full length and gently move the unit back and forth to get the best reception, or place the unit in an open location.
5. To select other functions, press the  / FUNCTION button.
6. To turn off the radio, press and hold the  / FUNCTION button.

RADIO AUTO SCAN (SEARCH)

1. Press and hold the  / SCAN button. The device will automatically scan the radio until finding a strong signal. The device will start to broadcast from the P01 after searching is finished.
2. Use the  / MEM- or  / MEM+ buttons to choose between the preset stations.


RADIO STATION MEMORY OPERATION

You can store 30 (FM) radio stations in memory for your preference.

1. Press the TUN.+ or TUN.- buttons to select the first desired station. Then press the **PROG./M./P-MODE** button on the unit. "PROG" will show on the display.
2. Use the  / MEM- or  / MEM+ buttons to choose the desired sequence you want to store, then press the **PROG./M./P-MODE** button on the device to confirm.
3. Search another station, repeat steps (1) & (2) until all desired stations stored. Up to 30 stations can be programmed.
4. To choose between the stored stations, press and hold the  / MEM- or  / MEM+ buttons.

AUXILIARY INPUT OPERATION

This unit has provided special AUX-IN jack, through this jack other audio sources can be connected to this unit and be amplified.

1. Press the  / FUNCTION button to select "AUX" mode.
2. Connect the audio cable into the AUX-IN jack and the other end connect to the AUDIO OUT jack of the external audio source.
3. Adjust the volume of the main unit to your desired level.

NOTE: In Aux-in mode, Play/Pause and Next/Previous track are controlled by the connected external device.

FCC NOTICE

WARNING: Changes or modifications to this unit not expressly approved by the party responsible for compliance could void the user's authority to operate the equipment.

NOTE: This equipment has been tested and found to comply with the limits for a Class B digital device, pursuant to part 15 of the FCC Rules.

These limits are designed to provide reasonable protection against harmful interference in a residential installation. This equipment generates, uses and can radiate radio frequency energy and, if not installed and used in accordance with the instructions, may cause harmful interference to radio communications.

However, there is no guarantee that interference will not occur in a particular installation. If this equipment does cause harmful interference to radio or television reception, which can be determined by turning the equipment off and on, the user is encouraged to try to correct the interference by one or more of the following measures:

- Reorient or relocate the receiving antenna.
- Increase the separation between the equipment and receiver.
- Connect the equipment into an outlet on a circuit different from that to which the receiver is connected.
- Consult the dealer or an experienced radio/TV technician for help.

SUPPORT

If you have problems with your device, please consult the instructions in this manual. Please also visit us on the web at www.emersonaudio.com to get up to the minute news, alerts, and documentation for your device. For additional assistance, please contact Emerson Technical support.

EMERSON Technical Support

2320 East 49th Street

Vernon, CA 90058

Tel: (323) 583-8883

Email: support@emersonaudio.com

Made in China

 **Emerson**™

Reproductor de Disco Compacto,
Casete y Radio AM/FM Portátil

EPB-3003



Manual de Operación

FAVOR DE LEER EL MANUAL COMPLETAMENTE ANTES DE OPERAR ESTE PRODUCTO.
CONSERVAR EL MANUAL PARA FUTURAS REFERENCIAS

INSTRUCCIONES DE SEGURIDAD

Antes de usar el reproductor, asegurarse de leer todas las instrucciones de operación cuidadosamente. Favor de observar que estas son precauciones generales y algunas pueden no ser aplicables al producto.

1. Leer las instrucciones – Deben leerse todas las instrucciones de operación y de seguridad antes de operar este producto.
2. Conservar las instrucciones – Deben conservarse las instrucciones de operación y seguridad para futuras referencias.
3. Poner atención a las advertencias – Todas las advertencias en el aparato y las instrucciones de operación y seguridad deben de respetarse.
4. No usar este aparato cerca del agua o humedad, por ejemplo, cerca de una bañera, lavabo, fregadero de cocina o de lavar, sótanos húmedos o cerca de una piscina.
5. Limpiar solo con una tela seca
6. Las ranuras y aberturas en la parte posterior y posterior del gabinete son provistas para la ventilación y asegurar la buena operación del reproductor y protegerlo del sobrecalentamiento. No deben bloquearse o taparse estas aberturas.
7. Este producto debe colocarse lejos de fuentes de calor como radiadores, registros de calor, estufas u otros productos que producen calor (incluso amplificadores).
8. El cordón de alimentación debe colocarse de forma tal que no exista probabilidad de pisarlo o apretarlo sobre los lugares donde será colocado o contra el aparato mismo. Poner atención particular en el cordón, la clavija, el tomacorriente y en los puntos en donde estos salen del aparato.
9. Usar solo accesorios o refacciones recomendados por el fabricante.
10. Desconectar el producto del tomacorriente durante la presencia de tormentas eléctricas o cuando no va ser usado por un periodo largo de tiempo para protegerlo.
11. Referir todo servicio a un centro de servicio autorizado o con personal calificado. El servicio es requerido cuando el aparato ha sido dañado de alguna manera, como el cordón de alimentación o clavija dañada, ha sido derramado líquido o han caído objetos en el interior del aparato, el aparato ha sido expuesto a la lluvia o humedad, el aparato no opera normalmente o se ha dejado caer.
12. **ADVERTENCIA:** Para reducir el riesgo de fuego o choque eléctrico, no exponer este producto al goteo o salpicadura de agua, a la lluvia o humedad. No colocar objetos con líquidos sobre el producto, como vasos con agua.
13. No deben bloquearse o taparse las ranura o aberturas de ventilación, colocando el producto sobre una cama, sofá alfombra u otra superficie similar. Esto puede generar sobrecalentamiento interno.
14. Usar el producto en climas moderados
15. No colocar objetos de flama viva, como velas, veladoras, etc. encima o cerca del producto.
16. **PRECAUCION:** En caso de requerir un análisis y reparación de producto, acudir al centro de servicio autorizado.
17. Para reducir el riesgo de fuego o choque eléctrico, no dar ningún servicio diferente a lo contenido en este manual.
18. **PRECAUCIÓN:** PARA REDUCIR EL RIESGO DE CHOQUE ELECTRICO, NO ABRIR LA UNIDAD. EN CASO DE SER NECESARIO ACUDIR AL CENTRO DE SERVICIO AUTORIZADO PARA EL ANALISIS Y REPARACION.

19. PELIGRO: Este reproductor de discos compactos está clasificado como PRODUCTO LÁSER Clase 1. La etiqueta de PRODUCTO LÁSER DE CLASE 1 se encuentra en la parte posterior del gabinete.
20. NOTA: El fabricante no es responsable de ninguna interferencia de radio o televisión causada por modificaciones no autorizadas.
21. Almacenar los discos compactos, casetes u otros dispositivos en un área fresca para evitar daños por el calor.
22. Advertencias sobre las baterías:
 - Remover las baterías si están agotadas o si no se va utilizar la unidad por un período prolongado de tiempo.
 - El uso incorrecto de las baterías puede causar fugas de electrolitos, corroer el compartimiento o causar que las baterías exploten.
 - No mezclar diferentes tipos de baterías, por ejemplo, alcalina con carbonato de zinc.
 - Al reemplazar las baterías, usar baterías nuevas, no mezclar baterías nuevas con usadas.
 - Desechar las baterías de forma adecuada de acuerdo con las leyes de desechos sólidos de su localidad.

CONTENIDO EN EL EMPAQUE

- Reproductor de Disco Compacto y Casete Portátil
- Adaptador ca/cc
- Manual de Operación

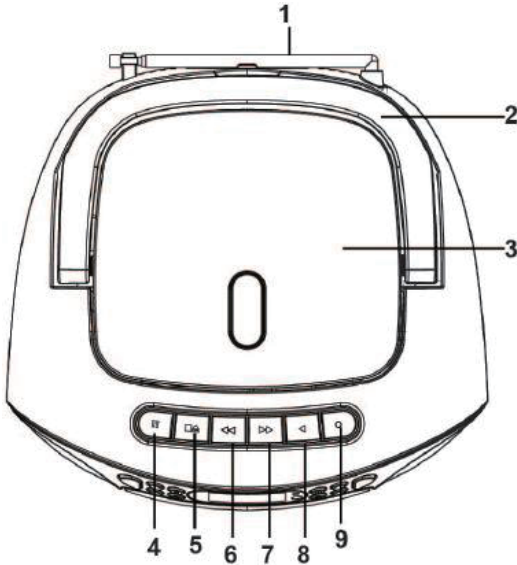
ESPECIFICACIONES

Fuente de alimentación	Adaptador ca/cc: 9 Vcc 1.2 A Baterías; 9 Vcc (6 x 1.5 Vcc Baterías "C"/"UM-2")
Potencia de entrada	10 W
Potencia de salida de audio	3 W rms totales (2 x 1.5 W rms)
Entrada auxiliar	Ø 3.5 mm
Salida audífonos	Ø 3.5 mm
Frecuencias	FM: 87.5 – 108 MHz AM: 520 – 1 710 kHz
Dimensiones aproximadamente	22.86 cm x 21.59 cm x 11.43 cm
Temperatura ambiente de operación	5 °C – 35 °C

Las especificaciones y diseño de este producto, están sujetos a cambios sin previo aviso para mejoras de los mismos.

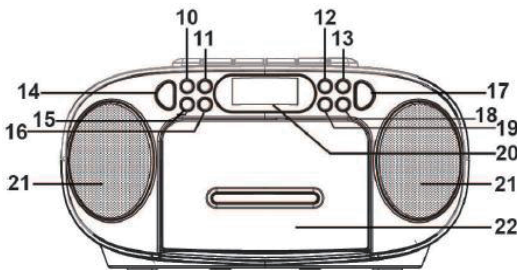
DESCRIPCION DE PARTES

Vista superior



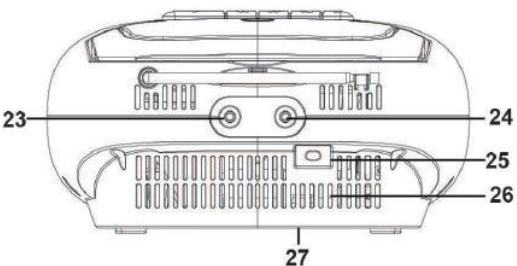
1. Antena telescópica de FM
2. Asa
3. Compartimiento del Disco Compacto
4. Pausa Casete “ || ”
5. Detener / Expulsar Casete “ ■ / ▲ ”
6. Regreso Rápido Casete “ ◀◀ ”
7. Avance Rápido Casete “ ▶▶ ”
8. Reproducir Casete “ ◀ ”
9. Grabar Casete “ ● ”

Vista Frontal



10. Reproducir/Pausar / Escaño CD “ ▶ || /SCAN ”
11. Detener CD “ ■ ”
12. Sintonía + “TUN+”
13. Aumentar Volumen “VOL+”
14. Poder / Función “ ⏻ /FUNCTION ”
15. Anterior/Memoria – CD “ ◀◀ /MEM- ”
16. Siguiente/Memoria+ CD “ ▶▶ /MEM+ ”
17. Programa/M/Modo P “PROG/M/P MODE”
18. Disminuir Volumen “VOL-“
19. Sintonía – “TUN-“
20. Pantalla de Cristal Líquido
21. Bocinas
22. Compartimiento Casete

Vista Posterior



23. Entrada Auxiliar “AUX IN”
24. Salida Audífonos “PHONE”
25. Conector de entrada de Vcc
26. Ranuras de ventilación
27. Compartimiento de las baterías

FUENTES DE ALIMENTACION

Esta unidad puede operar con Vca (Tomacorriente) o Vcc (Baterías)

Fuente de alimentación de Vca (Tomacorriente)

1. Insertar el conector de salida del adaptador ca/cc (incluido) en el conector de entrada de Vcc de la unidad, entonces conectar el adaptador ca/cc al tomacorriente.

NOTA: AL conectar el adaptador ca/cc en la unidad, las baterías se desconectan automáticamente.

Fuente de alimentación de Vcc (Baterías)

1. Remover la tapa del compartimiento de las baterías.
2. Insertar 6 baterías de 1.5 Vcc "UM2/C" (no incluidas), verificando la correcta polaridad "+,-" como se observa en el interior del compartimiento.
3. Colocar la tapa del compartimiento nuevamente.

PRECAUCIONES:

- Remover las baterías si están agotadas o la unidad no va ser usada por un periodo largo de tiempo.
- Las baterías contienen sustancias químicas. Desechar las baterías de acuerdo con las leyes de desechos sólidos de su localidad.

OPERACION

Operación General

- Presionar "⏻/FUNCTION" para Encender la unidad.
- Presionar y sostener "⏻/FUNCTION" para Apagar la unidad.
- Presionar "VOL-", "VOL+" para ajustar el volumen al nivel deseado.

AUDIFONOS

- Para escuchar en privado, conectar el cable de los audífonos (no incluidos) en el conector de salida para audífonos de Ø 3.5 mm. Nota: Las bocinas internas se desconectan automáticamente.
- **PRECAUCION:** Escuchar a niveles alto de volumen puede causar daños auditivos.

OPERACIÓN DEL CASETE

- Grabar “●”: Presionar para iniciar la grabación del Radio, CD/MP3, Entrada Auxiliar, USB
- Reproducir “▶”: Presionar para iniciar la reproducción del casete.
- Regreso rápido “◀◀”: En el modo detenido, presionar para regresar la cinta rápidamente.
- Avance rápido “◀◀”: En el modo detenido, presionar para avanzar la cinta rápidamente.
- Detener/Expulsar “■▲”: Presionar para detener la actividad actual del casete o para abrir el compartimiento del casete cuando no hay ningún botón activado.
- Pausa “||”: Presionar para pausar la reproducción o grabación, presionar nuevamente para continuar con la reproducción o grabación.

Reproducción del Casete

1. Estando la unidad encendida, presionar “⏻/FUNCTION” para seleccionar el modo de operación de Casete “TAPE”.
2. Presionar “■/▲” para abrir el compartimiento del casete.
3. Insertar un casete en el compartimiento con el lado abierto hacia arriba y con el carrete con la cinta del lado derecho. Asegurase de no tocar con los dedos la cinta del casete.
4. Cerrar el compartimiento del casete suavemente.
5. Presionar “◀◀” o “▶▶” para avanzar o regresar la cinta rápidamente hasta un punto deseado.
6. Presionar “▶” para iniciar la reproducción de la cinta.
7. Presionar “VOL-“ o “VOL+” en el reproductor para ajustar el volumen al nivel deseado.
8. Presionar “||” para pausar la reproducción momentáneamente, presionar “||” nuevamente para continuar la reproducción.
9. Presionar “■/▲” para detener la reproducción, presionar “■/▲” nuevamente para expulsar el casete.

Característica de Detección Automática

Cuando el casete está en modo de reproducción o grabación y la cinta llega al final, el mecanismo se detiene y apaga automáticamente, regresando todos los botones a la posición de desactivados.

Grabación de un Casete desde el Radio

1. Cargar un casete con la cinta en blanco en el compartimiento del casete.
2. Presionar "⏏/FUNCTION" para seleccionar el modo de Radio. Sintonizar la estación deseada, ver modo de Radio FM.
3. Presionar "●" y "▶" simultáneamente para iniciar la grabación en el casete.
4. Presionar "■▲" para detener la grabación. o esperar a que la grabación se detenga automáticamente cuando la cinta llega al final
5. Para escuchar la grabación, ver REPRODUCCION DEL CASETE.

Nota: Presionar "||" en el mecanismo del casete para pausar la grabación momentáneamente, presionar "||" nuevamente para continuar la grabación.

Grabación desde un Disco Compacto

1. Cargar un casete con la cinta en blanco en el compartimiento del casete.
2. Presionar "⏏/FUNCTION" para seleccionar el modo de Disco Compacto.
3. Cargar un disco en el compartimiento para disco, presionar "◀/MEM-", "▶/MEM+" para seleccionar la pista que desea grabar.
4. Presionar "▶ || /SCAN" para iniciar la reproducción. Presionar "●" y "▶" simultáneamente en el mecanismo para iniciar la grabación.
5. Presionar "||" en el mecanismo del casete para pausar la grabación momentáneamente, presionar "||" nuevamente para continuar la grabación.
6. Presionar "■▲" para detener la grabación o esperar a que la grabación se detenga automáticamente cuando la cinta llega al final.
7. Para escuchar la grabación, ver REPRODUCCION DEL CASETE.

Tipos de Casete para grabar

Usar solo casetes de alta calidad (IEC TYPE 1) para realizar grabaciones. Para reproducir pueden usarse otros tipos de casetes, pero esto no habilita la posibilidad para realizar grabaciones apropiadas en estos tipos de casetes.

Protección contra borrado en los Casetes

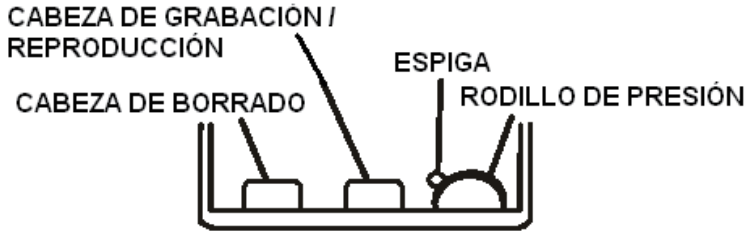
Normalmente cualquier cinta de un casete se borra automáticamente al realizar una nueva grabación. Para proteger una grabación de cualquier borrado accidental, remover las lengüetas localizadas en la parte de abajo del casete.

- Cuando el casete es sostenido con el lado superior hacia arriba y la cinta hacia el frente, la lengüeta de protección de ese lado se localiza en el lado izquierdo de la parte de abajo del casete.
- Todos los casetes pregrabados son protegidos de esa manera para evitar el borrado accidental de la grabación comercial. Un casete protegido contra borrado no permite que el botón de grabación "●" pueda operar.

- Si en algún momento desea grabar y no puede operar el botón de grabación, no forzar el mecanismo ya que puede dañarse. Verificar que un casete ha sido colocado y que las lengüetas de grabación no han sido removidas. Para grabar en un casete donde las lengüetas se han removido, puede realizarse cubriendo las aberturas donde estaban las lengüetas con un pedazo de cinta adhesiva.

Cuidado del mecanismo del Casete

Limpiar suavemente las cabezas de reproducción/grabación, de borrado, el rodillo de presión y la espiga después de cada 10 horas de uso de la unidad de casete. Una gran variedad de productos para el cuidado del casete hay disponibles.



- Las cabezas de borrado y de reproducción/grabación y la superficie del rodillo de presión son delicadas y estos no deben de tocarse con objetos de metal como desarmadores.
- Para limpiar más fácilmente estos elementos, presionar “▶” para tener más fácil acceso a las cabezas y al rodillo.
- Asegurase de presionar “■/▲” después de limpiar el mecanismo.
- El mecanismo puede sufrir daños si la unidad es dejada en el modo de reproducción, cuando el aparato se encuentra apagado.
- Bajo ninguna otra circunstancia intentar lubricar cualquier otra parte del mecanismo

OPERACIÓN DEL DISCO COMPACTO

Discos Reproducibles

Este producto puede reproducir discos de audio digital CD, discos grabables (CD-R), discos regrabables de audio digital (CD-RW) y discos CD-DA de audio digital CD/CD-R/CD-RW.

Cargando un Disco

1. Presionar “⏏/FUNCTION” para seleccionar el modo de Disco Compacto.
2. Abrir el compartimiento del disco y la pantalla despliega “OP”
3. Colocar un disco de audio en la bandeja con la etiqueta hacia arriba.
4. Cerrar el compartimiento del disco.
5. Para remover el disco, presionar “■” para detener la reproducción del disco y esperar que deje de girar, presionar el área para abrir el compartimiento, la pantalla despliega “OP”, sujetar el disco por el borde y removerlo cuidadosamente.

Notas:

- Asegurarse que el disco está detenido completamente antes de abrir el compartimiento.
- Para asegurar una buena operación del sistema, esperar a que el reproductor lea completamente el disco antes de iniciar la reproducción del mismo.
- Si no hay ningún disco colocado en el compartimiento o el disco está colocado mal, la pantalla despliega "NO".

Reproducción del Disco

1. Presionar "▶ II /SCAN" para iniciar la reproducción del disco.
 - Presionar "▶ II /SCAN" para pausar la reproducción,
 - Presionar "▶ II /SCAN" para reanudar la reproducción desde el punto donde se pauso.
2. Durante la reproducción, presionar "■" para detener la reproducción y la pantalla despliega el número total de pistas del disco.
3. Presionar "◀◀/MEM-", "▶▶/MEM+" para seleccionar la pista anterior o siguiente.
4. Presionar y sostener "◀◀/MEM-", "▶▶/MEM+" para regresar o avanzar rápidamente en la pista en reproducción hasta encontrar un punto específico, entonces, liberar el botón.

Programación de la Reproducción

Es posible programar en orden deseado la reproducción de las pistas en el modo detenido. Pueden almacenarse en memoria hasta 20 pistas.

1. En el modo detenido, presionar "PROG/M/P-MODE", el indicador de programa "PROG" empieza a destellar y despliega en la pantalla "P01".
2. Presionar "◀◀/MEM-" o "▶▶/MEM+" para seleccionar el número de la pista deseada a programar. Presionar "PROG/M/P-MODE" nuevamente para almacenar en memoria la pista seleccionada y el indicador en la pantalla cambia a "P02".
3. Repetir los pasos 1 y 2 para almacenar las demás pistas.
4. Presionar "▶ II /SCAN" para iniciar la reproducción del programa a partir de la primera pista del programada.
5. Presionar "■" para detener la reproducción del programa. Para borrar el programa de reproducción presionar "■" cuando el disco está detenido. Abrir la tapa del compartimiento del disco y el programa se borra automáticamente.

Repetir Reproducción

Puede repetir la reproducción de una o todas las pistas del disco continuamente.

Repetir una pista

1. Estando en el modo de reproducción; presionar "PROG/M/P-MODE", el indicador "REP" destella en la pantalla, la pista actual en reproducción se repite continuamente hasta presionar "■"
2. Presionar "PROG/M/P-MODE" nuevamente hasta que el indicador "REP" desaparece de la pantalla para cancelar la función de repetir una pista.

Repetir todas las pistas del disco

1. Estando en el modo de reproducción; presionar “PROG/M/P-MODE” hasta que el indicador “REP” se despliega permanentemente en la pantalla, todas las pistas del disco se reproducen repetidamente hasta presionar “■”.
2. Presionar “PROG/M/P-MODE” hasta que el indicador “REP” desaparece de la pantalla para cancelar la función de repetir todas las pistas.

Reproducción al azar

1. Estando en el modo de reproducción; presionar “PROG/M/P-MODE” hasta que el indicador “RDM” se despliega en la pantalla, entonces inicia automáticamente la reproducción al azar de todas las pistas del disco en el orden determinado por el reproductor. La reproducción se detiene hasta que todas las pistas son reproducidas. Presionar “▶/MEM+” para cambiar de pista.
2. Presionar “PROG/M/P-MODE” hasta que el indicador “RDM” desaparece de la pantalla para cancelar la función de reproducción al azar.

MANTENIMIENTO DE LOS DISCOS COMPACTOS



1. Usar únicamente discos compactos que lleven la siguiente marca
2. Manejo de los discos

Sacar el disco de su caja de almacenamiento y colocarlo en el reproductor.

 - No tocar las superficies de los discos.
 - No pegar etiquetas, ni escribir sobre las superficies de los discos.
 - No doblar los discos
 - NOTA: Asegurarse que la puerta del compartimiento del disco compacto para prevenir que el polvo contamine el lente láser.
3. Almacenamiento
 - Almacenar el disco en su estuche
 - No exponer los discos a los rayos directos del sol, altas temperaturas, alta humedad o lugares con polvo.
4. Limpieza de los discos
 - Limpiar el polvo, suciedad y huellas digitales de los discos con una tela suave, limpia, seca y libre de pelusa.
 - No usar limpiadores químicos como benceno, diluyentes, alcohol, thinner, limpiadores líquidos ni aerosoles antiestáticos.
 - No tocar el lente laser.
 - Limpiar los discos con movimientos rectos del centro hacia el borde, no con movimientos circulares.

CORRECTO



INCORRECTO



OPERACIÓN DEL RADIO

1. Presionar “⏏/FUNCTION” para seleccionar el modo de Radio AM o FM.
2. Para sintonizar la estación de Radio deseada, presionar “TUN-“, “TUN+” para sintonizar paso a paso, la pantalla despliega la frecuencia sintonizada. Por ejemplo, FM 97.10 MHz o AM 520 kHz.
3. Presionar y sostener “TUN-“, “TUN+” para que la unidad escanee a la estación anterior o siguiente con señal fuerte.
4. Presionar “VOL-“, “VOL+” para ajustar el volumen al nivel deseado.
5. Al sintonizar una estación de FM, extender la antena telescópica completamente y direccionarla para lograr una mejor sintonía de las estaciones. Para optimizar la recepción al sintonizar estaciones en AM, girar suavemente el reproductor alrededor de su posición o colocarlo en un área abierta.
6. Para salir de la función de Radio, presionar “⏏/FUNCTION” para seleccionar otro modo de operación.
7. Para apagar el Radio, presionar y sostener “⏏/FUNCTION”.

Escaneo y almacenamiento automático de las estaciones

1. Presionar y sostener “▶ || /SCAN” para iniciar el escaneo y almacenamiento automático en memoria de las estaciones con señal fuerte en la banda de sintonía. Después del escaneo, el radio sintoniza la estación almacenada en memoria “P01”.
2. Presionar “◀◀/MEM-“, “▶▶/MEM+” para sintonizar la estación anterior o siguiente almacenada en memoria directamente.

Almacenamiento manual de estaciones en memoria

Se puede almacenar hasta 30 estaciones de Radio FM en memoria para sintonizarlas en el orden deseado de forma directa y rápida.

1. Presionar “TUN-“, “TUN+” para sintonizar la estación deseada Presionar “PROG/M/P-MODE”, la pantalla destella “PROG”.
2. Presionar “◀◀/MEM-“, “▶▶/MEM+” para seleccionar la memoria de almacenamiento. Presionar “PROG/M/P-MODE” nuevamente para almacenar la estación en la memoria seleccionada.
3. Para almacenar las demás estaciones, repetir los pasos 1 y 2 hasta almacenar las estaciones deseadas. Hasta 30 estaciones pueden ser almacenadas.
4. Presionar “◀◀/MEM-“, “▶▶/MEM+” para sintonizar la estación anterior o siguiente almacenada en memoria directamente.

ENTRADA AUXILIAR

La entrada auxiliar sirve para reproducir y amplificar la salida de audio de dispositivos externos, como reproductores MP3, teléfonos, etc.

1. Conectar la salida del dispositivo de audio externo al conector de entrada auxiliar.
2. Presionar “⏏/FUNCTION” para seleccionar el modo de Entrada Auxiliar.
3. Reproducir el audio a través del dispositivo externo.
4. Usar el control de volumen de la unidad para ajustar el volumen al nivel deseado.

NOTA: En el modo de Entrada Auxiliar, el control de la reproducción (reproducir, pausar, seleccionar pista) es a través del dispositivo de audio externo.

NOTICIA FCC

ADVERTENCIA: Cualquier cambio o modificación no aprobada expresamente por el fabricante de este producto puede anular la propiedad para operar el producto.

NOTA: Este producto ha sido probado y cumple con las limitaciones de un equipo digital Clase B, de acuerdo con la Parte 15 de las Normas FCC.

Estos límites están diseñados para permitir una protección razonable contra interferencia dañina en una instalación residencial. Este producto genera, usa y puede emitir energía de frecuencia radial y, de no ser instalado y utilizado de acuerdo con las instrucciones, puede causar interferencia dañina a las comunicaciones radiales.

Sin embargo, no existe garantía de que la interferencia no pueda ocurrir en una instalación particular. Si este producto causa una interferencia dañina a la recepción de la radio o la televisión, lo cual se puede determinar encendiendo y apagando el equipo, se recomienda al usuario tratar de corregir la interferencia mediante una o más de las siguientes medidas:

- Orientar o reubicar la antena receptora.
- Aumentar la separación entre el producto y el receptor.
- Conectar el equipo a una salida de un circuito diferente al receptor.
- Consultar a su proveedor o a un técnico de Radio y televisión.

INDICACIONES SOBRE EL MEDIO AMBIENTE

Al término de la vida útil de este producto, este no debe ser desechado en la basura doméstica para evitar daños al medio ambiente, en su caso acudir al centro de desechos sólidos de su localidad. La separación adecuada de los desechos ayuda a evitar posibles efectos negativos sobre la salud humana y el medio ambiente y promueve el reciclaje de los materiales que componen el producto. Informarse en su localidad sobre los organismos de eliminación de este tipo de desechos.

SOPORTE

Si tiene problemas con la operación de este producto, favor de consultar las instrucciones en este manual, así como las últimas noticias, recomendaciones y documentación que puede encontrar en nuestra página web www.emersonaudio.com.

Si necesita asistencia futura, favor de contactar al centro de servicio autorizado o soporte técnico autorizado.

Soporte Técnico EMERSON

2320 East 49th ST

Vernon, CA 90058

Tel: 323 583-8883

Correo Electrónico: support@emersonaudio.com

Hecho en China